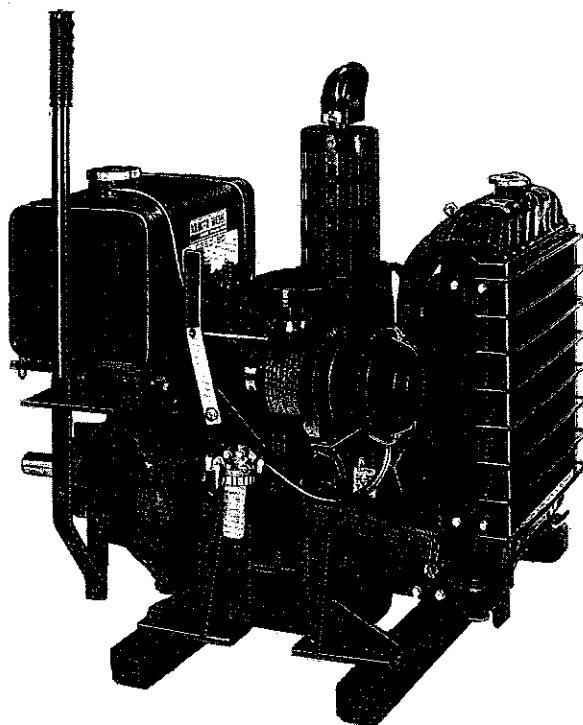


ILLUSTRATED PARTS LIST

KUBOTA

MODEL **D750-BC**

DIESEL ENGINE



AUSTRALIA. NEWZEALAND



KUBOTA, LTD.

DEC. 1980

Notice

This Parts List is for the following purposes.

Do not lose this Parts List.

1. When ordering parts, check with this Parts List to confirm the code number and the name of parts.
2. When making repairs of the Engine, refer to the illustrations in this Parts List.

Instructions

1. Parts designated "Order by REF. No.—" "NON-SALE", or "Your supply" in the "CODE No." column are parts to be procured locally or are parts sold included in the assembly. Kubota does not sell these parts separately.
2. Circled numbers on the left column of "REMARKS" indicate reference numbers which are included in "Assy".
Therefore, when "ASSY" is ordered, the parts designated by "Reference Nos." on the left column of "REMARKS" would be included in your order.
3. This parts list is compiled for each engine model as follows.

Model of Engine

Use

D750-BC All-Purpose engine (With clutch and RADIATOR)

4. Newly redesigned, modified parts shall have figures in the "REF. NO." column encircled.
5. Ref. No. is encircled with Δ to indicate that misprint is corrected.
6. Parts which are not interchangeable because of design modification are indicated in the following manner.
 - 1) The "SERIAL NUMBER" column, in the "INTERCHANGEABILITY" column shows engine serial numbers with the applicable code numbers.
 - 2) The symbols on the left column of "REMARKS" are as follows.
 - A: Newly adopted parts or parts whose code number has been completely changed.
 - B: Changes in shape.
 - C: Other changes
 - 3) The column on the right of the illustration gives brief explanation of modifications.

7. The symbols in the "S" column are symbols used by manufacturer in the control of parts.
8. When parts of the machine are modified, there will be a change in the code numbers for the parts, Revised pages of this Parts List will be issued carrying the new code numbers so replace the existing page with the newly issued page.
9. This parts List is Subject to change without notice.

— 注 意 —

此の部品表は大切に保存をして、次の様な場合に利用して下さい。

1. 部品を注文される時に此の部品表で、コードNo.及び部品名を確認して下さい。
2. 修理をされる時に此の部品表のイラストを参照して下さい。

記載内容の説明

1. “CODE No.”欄に“Order by REF.No.……”“NON-SALE”、或は“Your supply”と記入してあるのは現地調達品又は完備品の構成部品であって、夫々単体販売しない部品を示します。
2. “REMARKS”欄の中の左側の欄に○で囲んだ数字は完備品の構成部品の“REF No.”を示します。
3. 次の型式が掲載してあります。

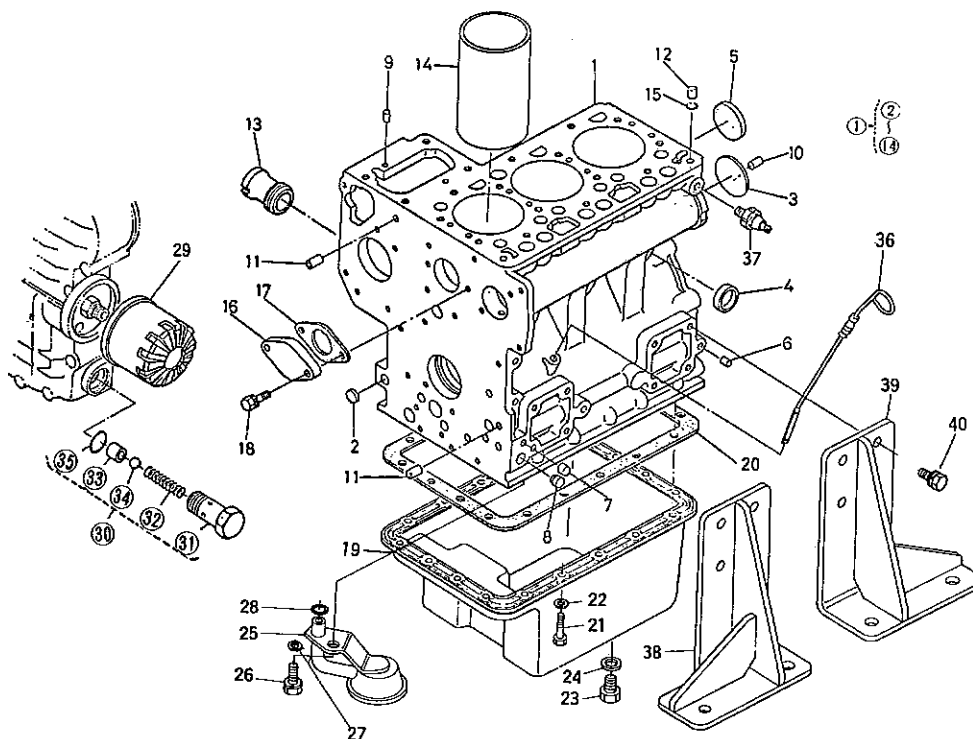
型 式	用 途
D750-BC	汎用エンジン（クラッチ、ラジエータ付）

4. 新変更部品は“REF. No.”を○で囲んで表示します。
5. ミスプリントにより訂正されたものは、REF. No.を△で囲んで表示します。
6. 設計変更により新旧兼用出来ない部品は次の表示をします。
 - 1) “INTERCHANGEABILITY”欄の“SERIAL NUMBER”は変更部品が使用出来るエンジンの機番の範囲を示します。
 - 2) “REMARKS”欄の中の左の欄に次の記号で表示します。
 - A：部品の新採用或はコードNo.が全く変更された事を示す。
 - B：部品の形状が変わった事を示す。
 - C：其の他の理由による部品の変更を示す。
 - 3) イラストの右側の欄には部品変更の内容を略記してあります。
7. “S”欄の記号はメーカーの部品管理の記号です。
8. 変更部品が生じた時には改訂ページを発行しますから旧ページと入れ替えて下さい。
9. この部品表は予告なしに変更することがあります。

CONTENTS

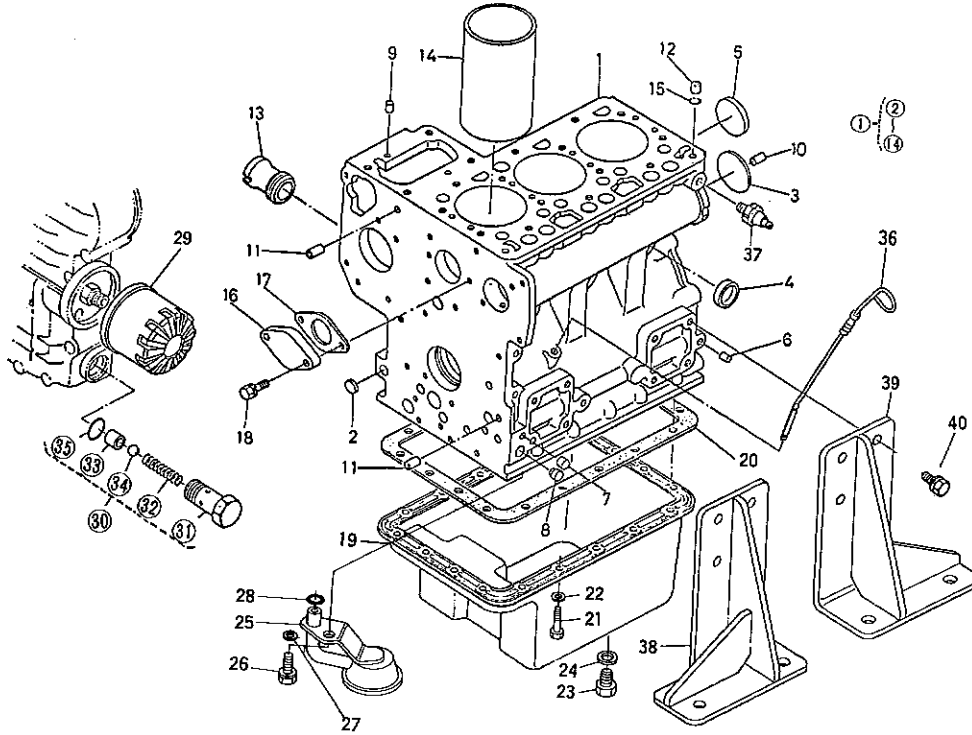
	Page
1. CRANKCASE GROUP	1.2
2. CYLINDER HEAD GROUP	3
3. GEAR CASE GROUP	4
4. MAIN BEARING CASE GROUP	5
5. BREATHER GROUP	6
6. MANIFOLD GROUP	7
7. VALVE, ROCKER ARM	8
8. HEAD COVER GROUP	9
9. CAMSHAFT GROUP	10
10. PISTON, CRANKSHAFT GROUP	11
11. FLYWHEEL GROUP	12
12. NOZZLE HOLDER GROUP	13
13. FUEL CAMSHAFT GROUP	14
14. GOVERNOR GROUP	15
15. SPEED CONTROL PLATE GROUP	16. 17
16. DYNAMO GROUP	18
17. FAN COVER GROUP	19
18. RADIATOR GROUP	20
19. AIR CLEANER GROUP	21
20. NAME PLATE GROUP	22
21. FUEL FILTER GROUP	23
22. CLUTCH HOUSING GROUP	24. 25
23. FUEL TANK GROUP	26
24. SWITCH CASE GROUP	27
25. FUEL FILTER GROUP	28
26. NOZZLE HOLDER (SECTION PARTS) GROUP	29
27. INJECTION PUMP GROUP	30
28. TOOLS GROUP	31
[ACCESSORY and SERVICE PARTS]	32
[NUMERICAL INDEX]	33

1. CRANKCASE GROUP



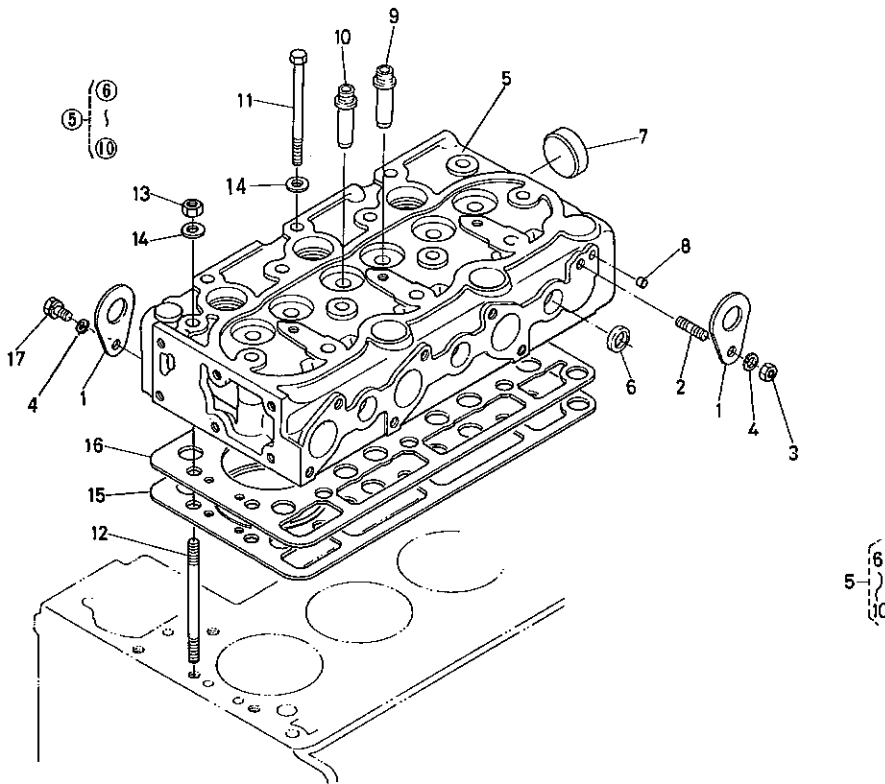
S	REFNo.	CODE No.	DESCRIPTION	UNIT	INTERCHANGEABILITY		REMARKS
					SERIAL NUMBER		
	1	15371-0101-0	ASSY CRANKCASE	1set			②~⑭
	2	06311-75015	PLUG, expansion	3			
	3	06311-75040	PLUG, expansion	1			
	4	15321-9626-3	CAP, sealing	5			
	5	15221-0349-0	CAP, sealing	1			
	6	15261-9601-0	PLUG	6			
	7	15521-9602-0	PLUG	3			
	8	15521-9603-0	PLUG	1			
	9	05012-00609	PIN, straight	2			
	10	05012-00814	PIN, straight	2			
	11	15231-3396-0	PIN, pipe	2			
	12	15221-3365-0	PIN, pipe	1			
	13	15221-7288-0	PIPE, water 2	1			
	14	15261-0231-0	LINER, cylinder	3			
	15	15221-3370-0	O RING	1			
	16	15261-7391-0	COVER, water	1			
	17	15261-7392-0	GASKET, water cover	1			
	18	01023-50618	BOLT	2			
	19	15371-0161-0	OIL PAN	1			
	20	15381-0162-0	GASKET, oil pan	1			
	21	15381-9109-0	BOLT	18			
	22	04512-50060	WASHER, spring	18			
	23	15221-3375-0	PLUG, drain	1			
	24	15109-3366-0	GASKET	1			
	25	15371-3211-0	FILTER, oil 1	1			
	26	01153-50816	BOLT	1			
	27	04512-50080	WASHER, spring	1			
	28	04810-00140	O RING	1			
	29	15241-3209-0	CARTRIDGE, oil filter	1			
	30	15261-3607-0	ASSY VALVE, relief	1			⑳~㉵

1. CRANKCASE GROUP



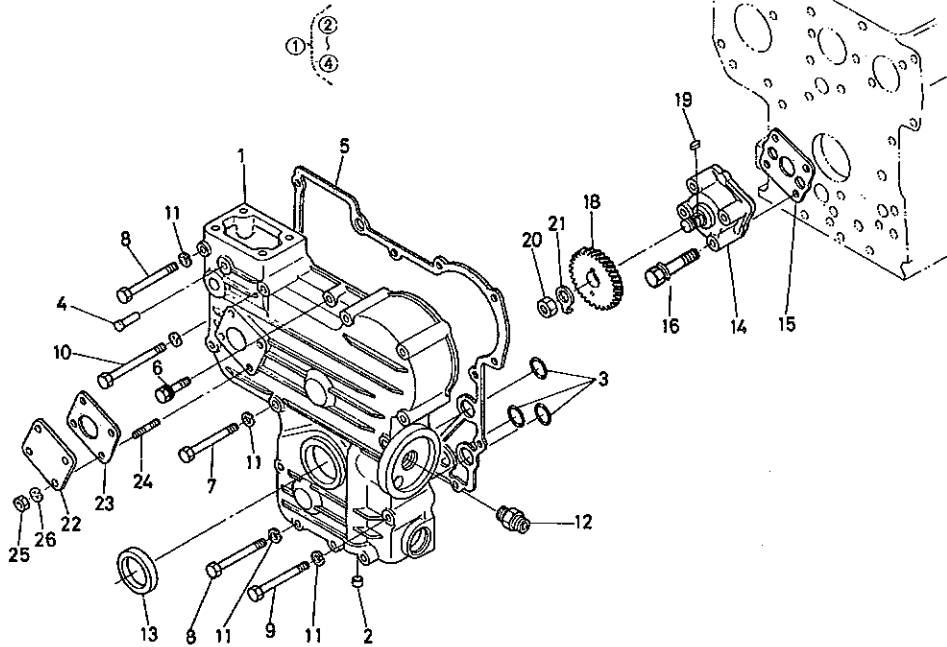
S	REF.No.	CODE No.	DESCRIPTION	UNIT	INTERCHANGEABILITY	REMARKS
					SERIAL NUMBER	
	31	order by REF.No. 30 on page 1				(15261-3691-0)
	32	15241-3695-0	SPRING	1		
	33	order by REF.No. 30 on page 1				(15261-3693-0)
	34	07715-03213	BALL	1		
	35	04810-00150	O RING	1		
	36	15371-3641-0	GAUGE, oil	1		
	37	15231-3901-0	SWITCH, oil	1		
	38	19262-0612-0	BASE, engine 2	2		
	39	19262-0611-0	BASE, engine 1	2		
	40	01133-51025	BOLT	12		

2. CYLINDER HEAD GROUP

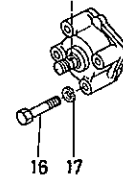


S	REFNo.	CODE No.	DESCRIPTION	UNIT	INTERCHANGEABILITY SERIAL NUMBER	REMARKS
	1	15221-0175-0	HOOK, engine	2		
	2	01513-50816	STUD	1		
	3	02156-50080	NUT	1		
	4	04512-50080	WASHER, spring	2		
	5	15371-0304-0	ASSY CYLINDER HEAD	1 set		⑥~⑩
	6	15261-0337-0	CAP, sealing	5		
	7	15321-9626-0	CAP, sealing	1		
	8	15261-9601-0	PLUG	2		
	9	15261-1354-0	GUIDE, inlet valve	3		
	10	15261-1356-0	GUIDE, exhaust valve	3		
	11	15261-0345-0	BOLT, cylinder head	12		
	12	15261-0341-0	STUD, cylinder head	2		
	13	15261-0351-0	NUT, cylinder head	2		
	14	15261-0354-0	WASHER, plain	14		
	15	15371-0331-0	GASKET	1		
	16	15371-0332-0	SHIM, cylinder head gasket	1		
	17	01153-50816	BOLT	1		

3. GEAR CASE GROUP



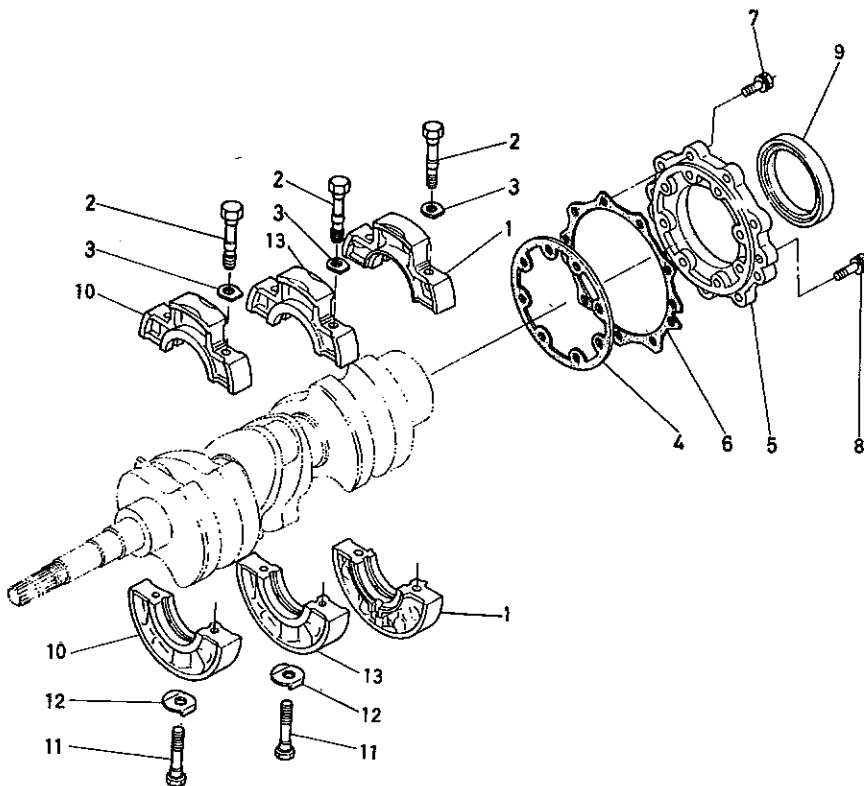
REF. NO. ⑯
 · 15261-9102-0
 BOLT, old type



REF. NO. ⑰
 · 04512-50060
 WASHER, SPRING
 discontinuance

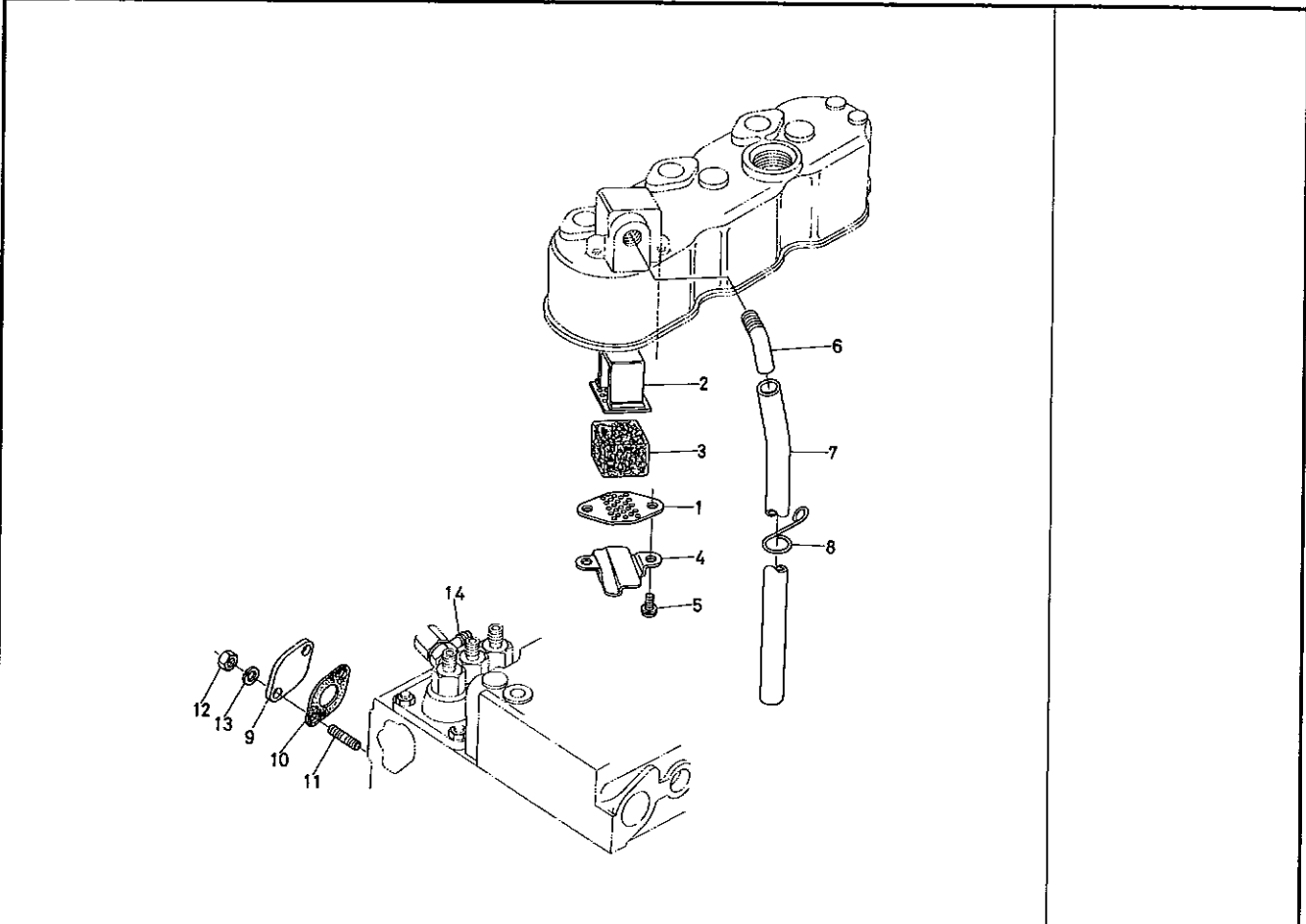
S	REF.No.	CODE No.	DESCRIPTION	UNIT	INTERCHANGEABILITY		REMARKS
						SERIAL NUMBER	
	1	15381-0402-0	ASSY CASE, gear	1set			②~④
	2	15221-3364-0	PLUG, pin	2			
	3	04810-0613-0	O RING	3			
	4	15221-5628-0	PIN, start spring	1			
	5	15261-0413-0	GASKET, gear case	1			
	6	01023-50630	BOLT	1			
	7	01053-50660	BOLT	3			
	8	01053-50665	BOLT	8			
	9	01053-50670	BOLT	1			
	10	14611-9106-0	BOLT	1			
	11	04512-50060	WASHER, spring	13			
	12	15241-3229-0	PIPE, joint	1			
	13	09550-00008	SEAL, oil	1			
	14	15261-3501-0	ASSY PUMP, oil	1			
	15	15261-3515-0	GASKET, oil pump	1			
	⑯	15261-9102-0	BOLT	4			
		15261-9102-2	BOLT, with washer	4			
	⑰	04512-50060	WASHER, spring	4	~		discontinuance
	18	15261-3566-2	GEAR, oil pump drive	1			
	19	05712-00410	KEY, feather	1			
	20	02016-50100	NUT	1			
	21	04211-50100	WASHER, claw	1			
	22	15223-8334-0	COVER	1			
	23	15221-8813-0	GASKET	1			
	24	15221-8821-0	STUD	4			
	25	02056-50060	NUT	4			
	26	04512-50060	WASHER, spring	4			

4. MAIN BEARING CASE GROUP



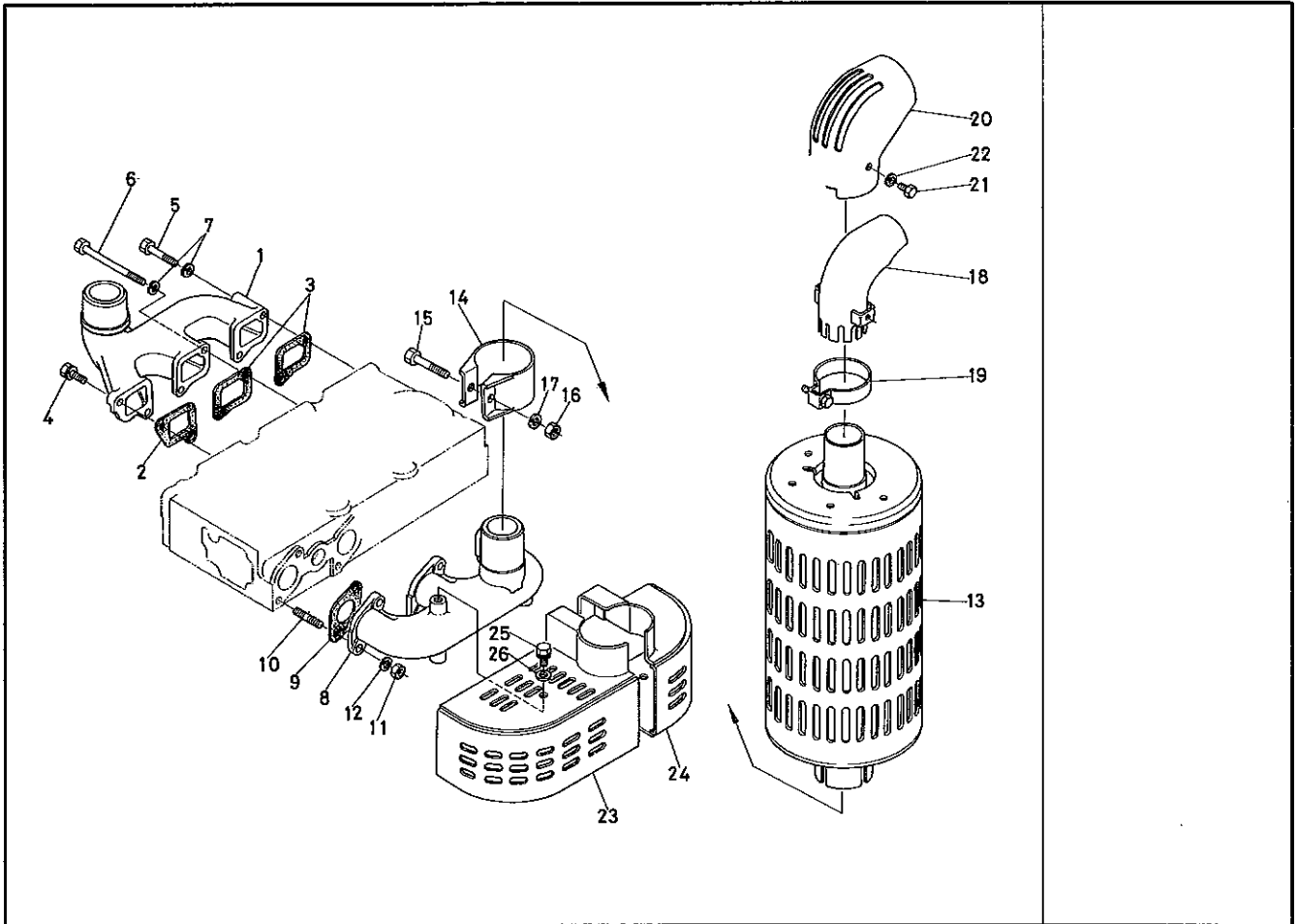
S	REFNo.	CODE No.	DESCRIPTION	UNIT	INTERCHANGEABILITY		REMARKS
					Serial Number	Serial Number	
	1	15261-0409-0	ASSY CASE, main bearing 1	1set			
	2	15261-0454-0	BOLT, bearing case	6			
	3	15261-0457-0	WASHER, bearing case	6			
	4	15261-0436-0	GASKET, bearing case	1			
	5	15261-0481-0	COVER, bearing case	1			
	6	15261-0482-0	GASKET	1			
	7	01023-50620	BOLT	9			
	8	01023-50625	BOLT	8			
	9	09560-00007	SEAL, oil	1			
	10	15261-0404-0	ASSY CASE, main bearing 2	1set			
	11	15261-0456-0	BOLT, bearing case	2			
	12	15261-0459-0	WASHER, bearing case	2			
	13	15381-0405-2	ASSY CASE, main bearing 3	1set			

5. BREATHER GROUP



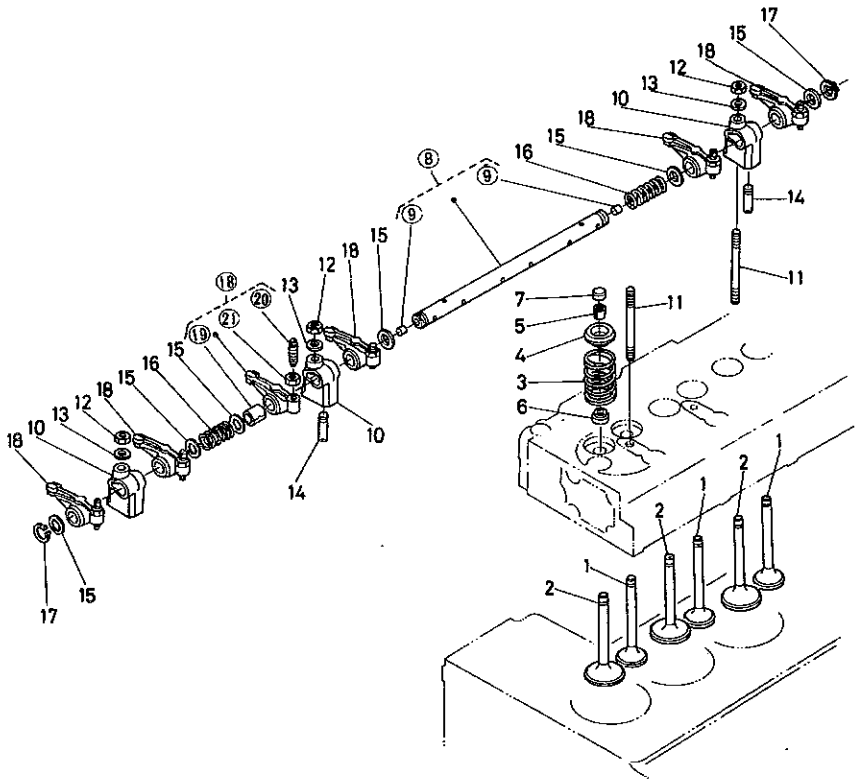
S	REFNo.	CODE No.	DESCRIPTION	UNIT	INTERCHANGEABILITY		REMARKS
					SERIAL NUMBER		
	1	15951-0514-0	PLATE, element 1	1			
	2	15521-0515-0	PLATE, element 2	1			
	3	15521-0567-0	ELEMENT, breather	1			
	4	15951-0537-0	OIL SHIELD, breather	1			
	5	03024-50510	SCREW	2			
	6	15521-0555-0	JOINT, breather pipe	1			
	7	15261-0551-0	PIPE, breather	1			
	8	15951-0559-0	CLAMP, pipe	1			
	9	15241-5285-2	COVER	1			
	10	15241-5214-0	GASKET, fuel pump	1			
	11	01513-50616	STUD	2			
	12	02056-50060	NUT	2			
	13	04512-50060	WASHER, spring	2			
	14	14111-4241-0	JOINT, eye	1			

6. MANIFOLD GROUP



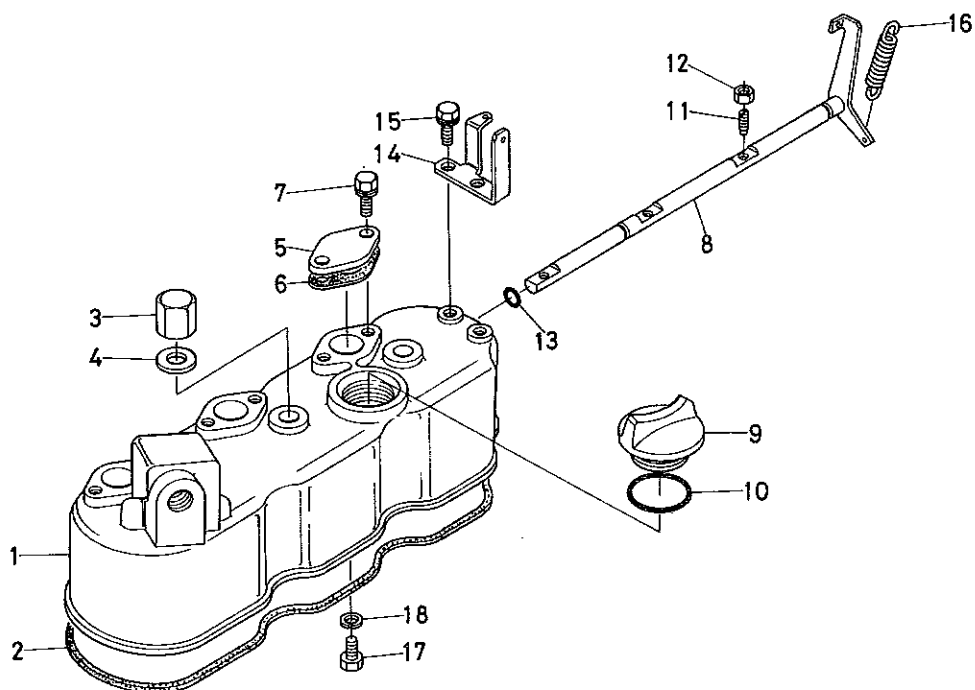
S	REFNo.	CODE No.	DESCRIPTION	UNIT	INTERCHANGEABILITY	REMARKS
					SERIAL NUMBER	
	1	15371-1176-0	MANIFOLD, inlet	1		
	2	15261-1182-0	GASKET, inlet manifold 1	1		
	3	15261-1183-0	GASKET, inlet manifold 2	2		
	4	01023-50620	BOLT	4		
	5	01053-50660	BOLT	1		
	6	15381-9107-0	BOLT	1		
	7	04512-50060	WASHER, spring	2		
	8	15383-1231-0	MANIFOLD, exhaust	1		
	9	15261-1236-0	GASKET, exhaust manifold	3		
	10	15381-9153-0	STUD	6		
	11	02056-50060	NUT	6		
	12	04512-50060	WASHER, spring	6		
	13	14952-1211-0	MUFFLER	1		
	14	14952-1213-0	BAND, muffler	1		
	15	01153-50835	BOLT	1		
	16	02114-50080	NUT	1		
	17	04512-50080	WASHER, spring	1		
	18	14911-1241-2	PIPE, muffler	1		
	19	14431-1243-0	BAND, pipe	1		
	20	14911-1247-0	COVER, muffler pipe	1		
	21	01222-50608	BOLT	2		
	22	04512-50060	WASHER, spring	2		
	23	15383-1272-0	COVER	1		
	24	15383-1273-0	COVER	1		
	25	01202-50610	BOLT	4		
	26	04013-50060	WASHER, plain	4		

7. VALVE, ROCKER ARM GROUP



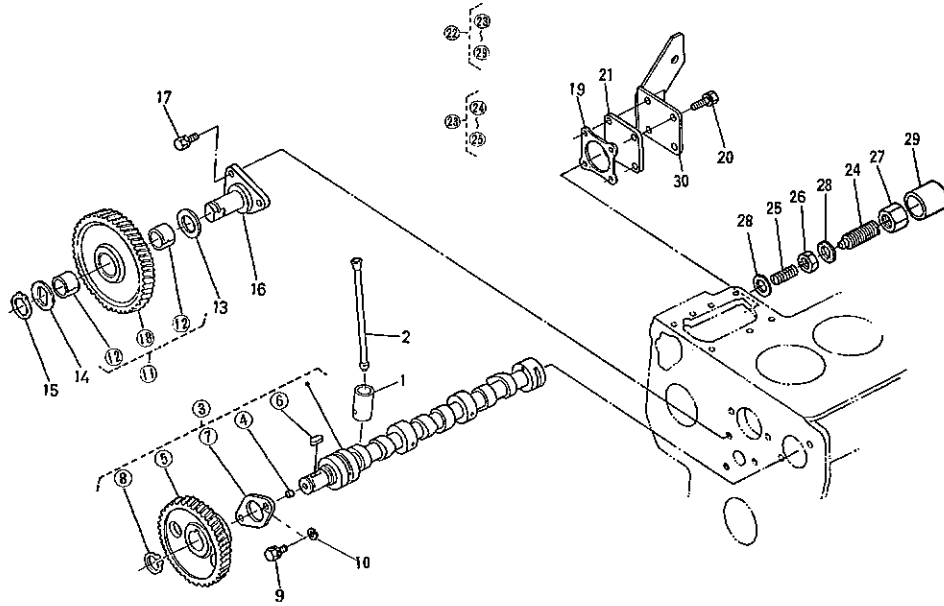
S	REFNo.	CODE No.	DESCRIPTION	UNIT	INTERCHANGEABILITY		REMARKS
					SERIAL NUMBER		
	1	15261-1311-0	VALVE, inlet	3			
	2	15261-1312-0	VALVE, exhaust	3			
	3	15261-1324-0	SPRING, valve	6			
	4	15261-1333-0	RETAINER, valve spring	6			
	5	15261-1336-0	COLLET	12			
	6	15261-1315-0	SEAL, valve stem	6			
	7	15261-1328-0	CAP, valve	6			
	8	15371-1405-0	ASSY SHAFT, rocker arm	1			⑧
	9	03410-00606	SCREW, set	2			
	10	15261-1435-0	BRACKET, rocker arm	3			
	11	15951-1441-0	STUD	3			
	12	15261-9201-0	NUT	3			
	13	15261-9401-0	WASHER, plain	3			
	14	15261-1442-0	SCREW, set	1			
	15	15261-1443-0	WASHER, rocker arm	12			
	16	15261-1431-0	SPRING, rocker arm	2			
	17	04612-00110	CIR-CLIP, external	2			
	18	15261-1403-0	ASSY ROCKER ARM	6			⑧-⑪
	19	15261-1418-0	BUSH, rocker arm	6			
	20	15261-1423-2	SCREW, adjusting	6			
	21	15261-1424-0	NUT	6			

8. HEAD COVER GROUP



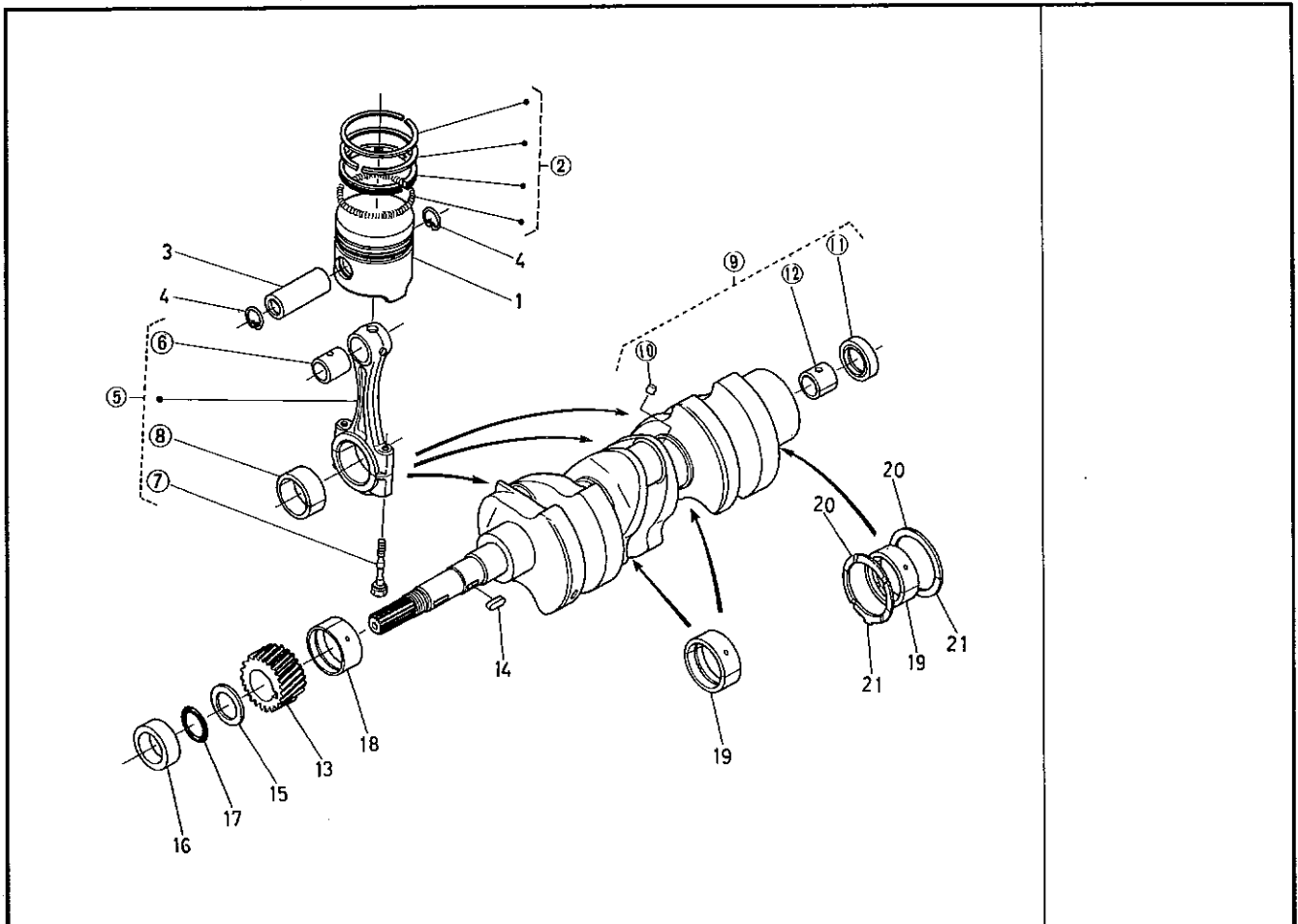
S	REFNo.	CODE No.	DESCRIPTION	UNIT	INTERCHANGEABILITY	REMARKS
					SERIAL NUMBER	
	1	15531-1451-0	COVER, cylinder head	1		
	2	15381-1452-0	GASKET, head cover	1		
	3	15951-9233-0	NUT, cap	3		
	4	15951-9666-0	GASKET	3		
	5	15261-6663-0	COVER, decomp hole	3		
	6	15261-6664-2	GASKET, hole cover	3		
	7	01023-50614	BOLT	6		
	8	15531-6604-0	SHAFT, decompress	1set		
	9	15221-3314-0	PLUG, oil filler	1		
	10	04811-50300	O RING	1		
	11	15261-6635-0	BOLT, decompress	3		
	12	02056-50060	NUT	3		
	13	04811-00080	O LING	1		
	14	15261-6619-0	HOLDER, decomp wire	1		
	15	01053-50614	BOLT	2		
	16	15221-6628-0	SPRING, decompress	1		
	17	15221-6641-0	BOLT	1		
	18	04512-50060	WASHER, spring	1		

9. CAMSHAFT GROUP



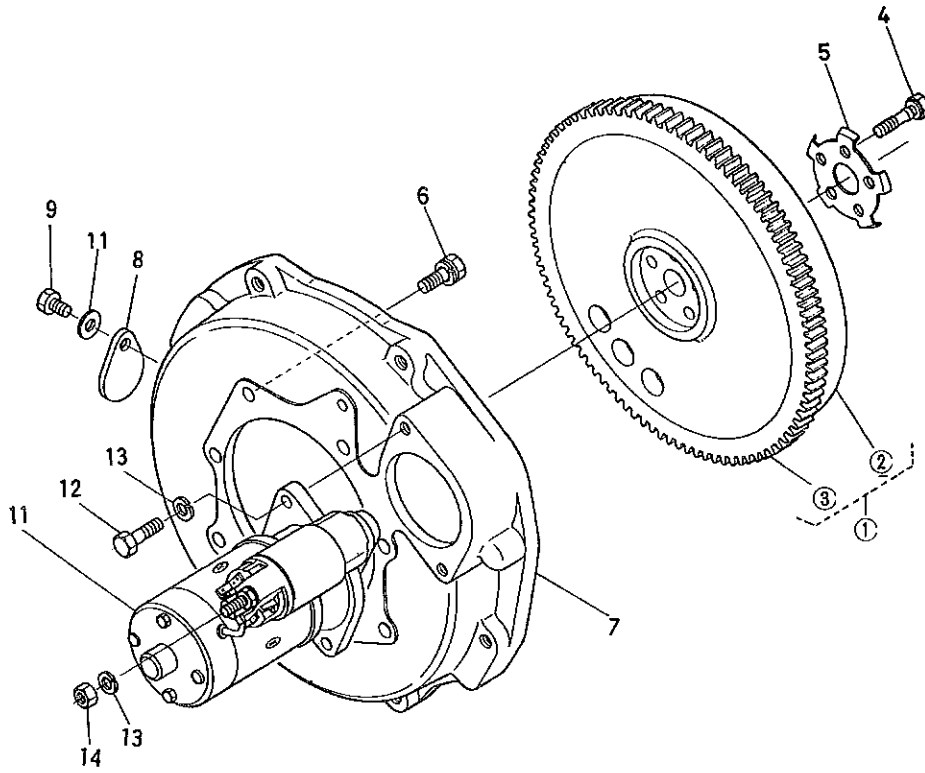
S	REFNo.	CODE No.	DESCRIPTION	UNIT	INTERCHANGEABILITY	REMARKS
					SERIAL NUMBER	
	1	15261-1555-0	TAPPET	6		
	2	15261-1511-0	PUSH ROD	6		
	3	15381-1601-0	ASSY CAMSHAFT	1		④~⑧
	4	15261-9688-0	PLUG, blind	2		
	5	15261-1651-2	GEAR, camshaft	1		
	6	05712-00515	KEY, feather	1		
	7	15261-1627-0	STOPPER, camshaft	1		
	8	04612-00180	CIR-CLIP, external	1		
	9	01053-50614	BOLT	2		
	10	04512-50060	WASHER, spring	2		
	11	15261-2401-0	ASSY GEAR, idle	1		⑫
	12	15261-2428-0	BUSH, idle gear	2		
	13	15261-2436-0	COLLAR, idle gear 1	1		
	14	15261-2437-0	COLLAR, idle gear 2	1		
	15	15261-2432-0	CIR-CLIP, idle gear	1		
	16	15261-2425-0	SHAFT, idle gear	1		
	17	01023-50616	BOLT	3		
	18	order by REF. No. ⑩				(15261-2421-0)
	19	15231-8713-0	GASKET, O/P pump	1		
	20	01123-50822	BOLT	4		
	21	15244-8335-0	COVER	1		
	22	15261-5409-2	ASSY APPARATUS, idling	1set		⑳~㉓
	23	15261-5410-0	ASSY BOLT, adjusting	1set		㉓, ㉔
	24	order by REF. No. ㉒				(15261-5425-0)
	25					(15261-5426-0)
	26	15261-9202-0	NUT	1		
	27	15261-9233-0	NUT, cap	1		
	28	15021-3366-0	GASKET	2		
	29	15261-5427-0	CAP	1		
	30	15383-4343-0	HOLDER, fuel filter	1		

10. PISTON, CRANKSHAFT GROUP



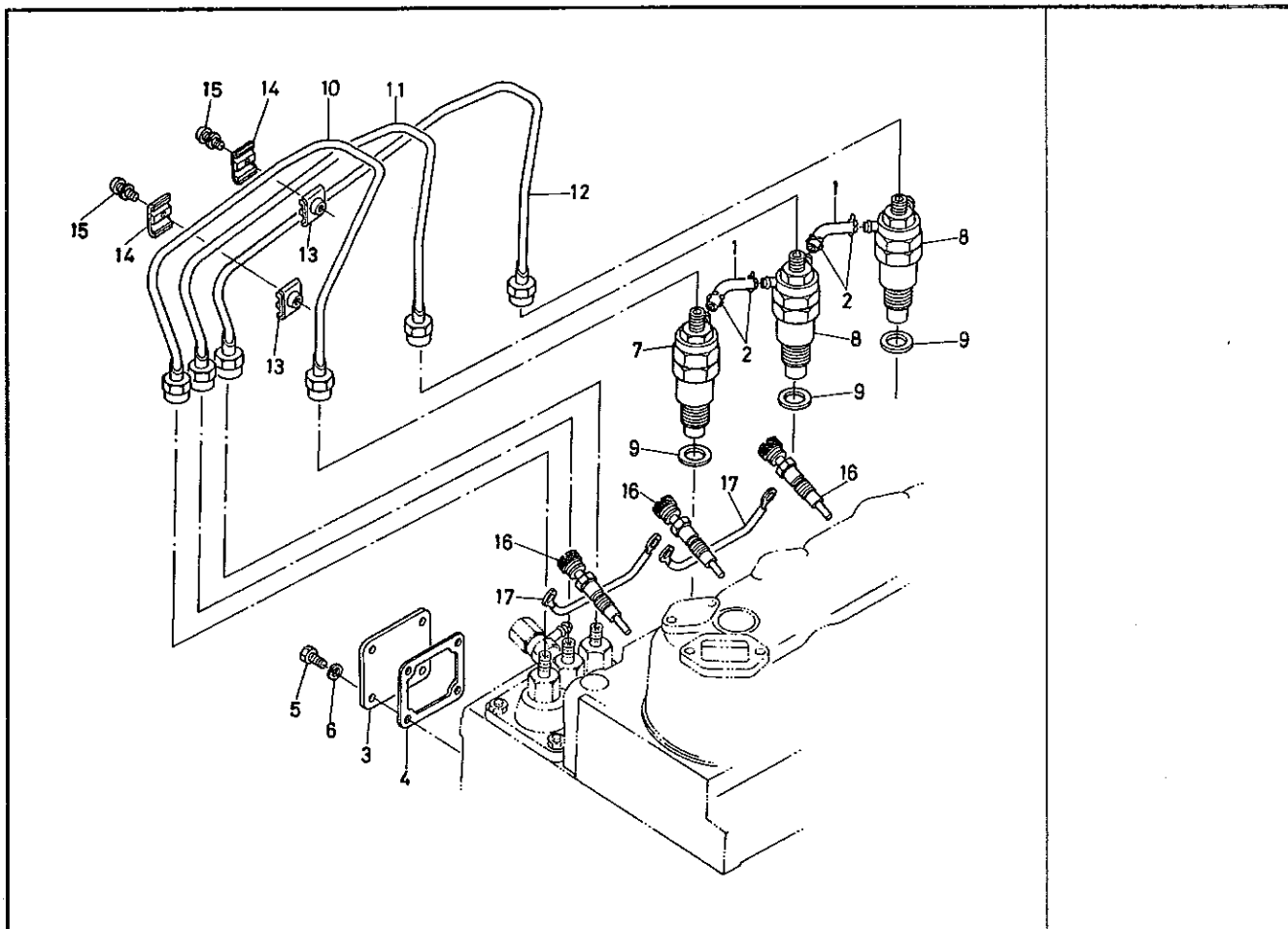
S	REFNo.	CODE No.	DESCRIPTION	UNIT	INTERCHANGEABILITY		REMARKS
					SERIAL NUMBER		
	1	15261-2111-0	PISTON	3			
	2	15271-2105-0	ASSY PISTON RING	3set			
	3	15261-2131-0	PISTON PIN	3			
	4	15261-2133-0	CIR-CLIP, piston pin	6			
○	⑤	15261-2201-0 15531-2201-0	ASSY CONNECTING ROD	3set			⑥~⑧
	6	15261-2198-0	BUSH, piston pin	3			
	7	15261-2214-0	BOLT, connecting rod	6			
○	⑧	15261-2231-0 15531-2231-0	METAL, crankpin	6			MATERIAL AP 6 → A 4 Z
	9	15371-2301-0	ASSY CRANKSHAFT	1			⑩~⑫
	10	15131-0138-0	PLUG, pin	3			
	11	09400-14247	SEAL, oil	1			
	12	66621-1412-0	BEARING	1			
	13	15261-2411-0	GEAR, crankshaft	1			
	14	05712-00515	KEY, feather	1			
	15	15261-2331-0	OIL SLINGER, crankshaft	1			
	16	15261-2325-0	COLLAR, crankshaft	1			
	17	0481f-10220	O RING	1			
	18	15261-2347-0	METAL, crankshaft 1	1			
	19	15261-2348-0	METAL, crankshaft 2	6			
	20	15261-2353-0	METAL, side 1	2			
	21	15261-2354-0	METAL, side 2	2			

11. FLYWHEEL GROUP



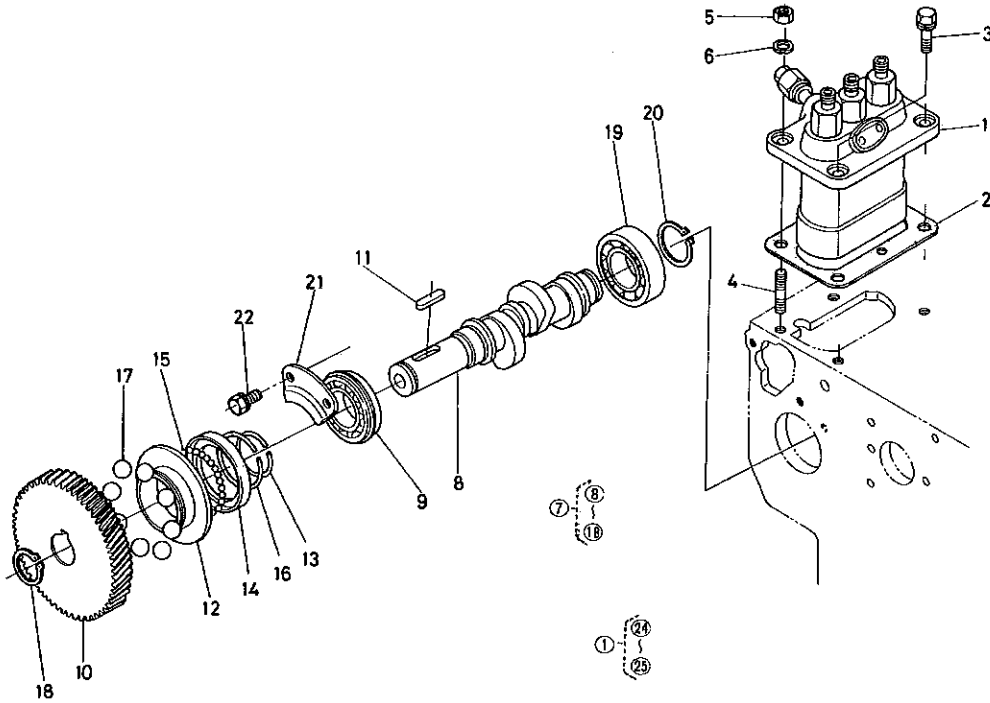
S	REFNo.	CODE No.	DESCRIPTION	UNIT	INTERCHANGEABILITY	REMARKS
					SERIAL NUMBER	
	1	15541-2501-0	ASSY FLYWHEEL	1		②, ③
	2	order by REF, No. ①				(15541-2511-0)
	3	15261-6382-0	GEAR, ring	1		
	4	15261-2516-0	BOLT, flywheel	5		
	5	15261-2517-0	WASHER, flywheel	1		
	6	15261-9119-0	BOLT	8		
	7	15375-0461-0	HOUSING, flywheel	1		
	8	31220-1417-0	COVER	1		
	9	01120-50814	BOLT	1		
	10	04013-50080	WASHER, plain	1		
	11	15231-6301-0	ASSY STARTER	1		
	12	01153-50825	BOLT	2		
	13	04512-50080	WASHER, spring	3		
	14	02156-50080	NUT	1		

12. NOZZLE HOLDER GROUP



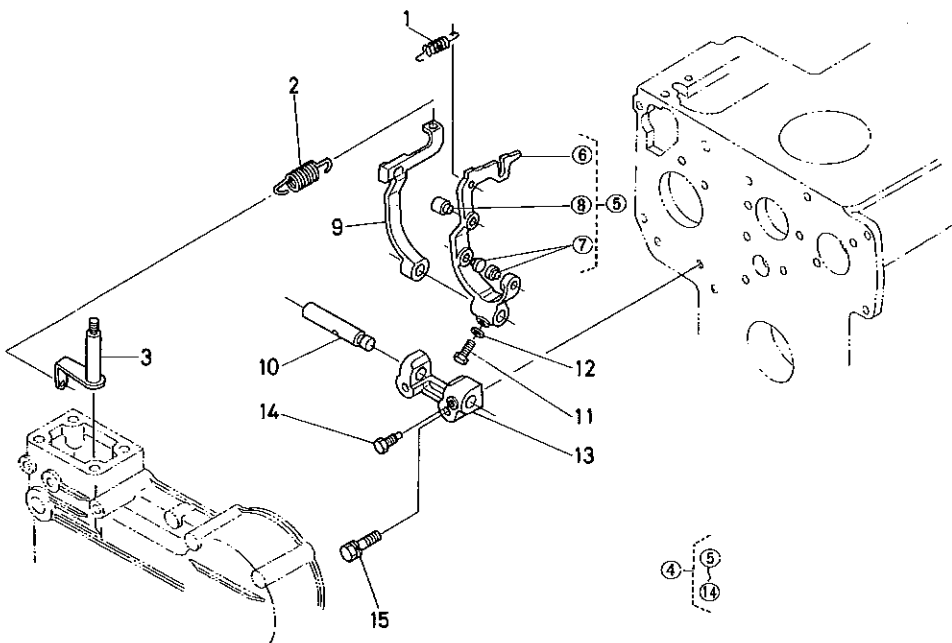
S	REFNo.	CODE No.	DESCRIPTION	UNIT	INTERCHANGEABILITY		REMARKS
					SERIAL NUMBER		
	1	15261-4251-0	PIPE, fuel over flow	2			
	2	14971-4275-0	CLIP, pipe	4			
	3	15241-5165-0	COVER	1			
	4	15231-0513-0	GASKET	1			
	5	01053-50614	BOLT	4			
	6	04512-50060	WASHER, spring	4			
	7	15271-5300-0	ASSY HOLDER, nozzle 1	1			
	8	15271-5302-0	ASSY HOLDER, nozzle 2	2			
	9	17011-5362-0	GASKET	3			
	10	15261-5371-0	PIPE, injection 1	1			
	11	15261-5372-0	PIPE, injection 2	1			
	12	15381-5373-0	PIPE, injection 3	1			
	13	15121-5385-0	CLAMP, pipe 1	2			
	14	15121-5386-0	CLAMP, pipe 2	2			
	15	03024-50520	SCREW	2			
	16	15261-6551-0	GLOW PLUG	3			
	17	15261-6556-0	CODE, glow plug	2			

13. FUEL CAMSHAFT GROUP



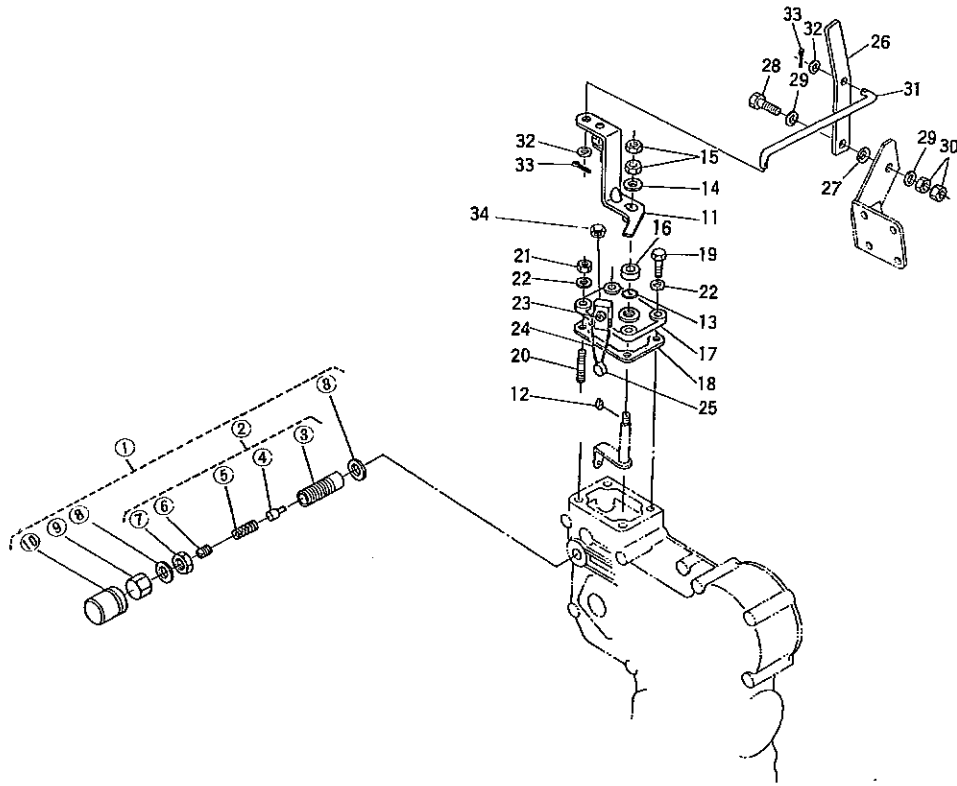
S	REFNo.	CODE No.	DESCRIPTION	UNIT	INTERCHANGEABILITY	REMARKS
					SERIAL NUMBER	
	1	15381-5101-0	ASSY PUMP, injection	1set		
	2	15381-5210-0	SHIM, injection pump	1set		(24), (25)
	3	01123-50822	BOLT	2		
	4	15221-9153-0	STUD	2		
	5	02156-50080	NUT	2		
	6	04512-50080	WASHER, spring	2		
	7	15381-1602-0	ASSY CAMSHAFT, fuel	1set		(8)~(18)
	8	15381-1617-0	CAMSHAFT, fuel	1		
	9	08153-06004	BEARING, ball	1		
	10	15261-5115-0	GEAR, injection pump	1		
	11	05712-00520	KEY, feather	1		
	12	15261-5545-0	SLEEVE, governor	1		
	13	15261-5547-0	CIR-CLIP	1		
	14	15261-5569-0	CASE, governor ball	1		
	15	07715-03205	BALL	30		
	16	15261-5574-0	CIR-CLIP	1		
	17	07715-03217	BALL	8		
	18	04612-00180	CIR-CLIP, external	1		
	19	08103-06004	BEARING, ball	1		
	20	04612-00200	CIR-CLIP, external	1		
	21	15261-1632-0	STOPPER, fuel camshaft	1		
	22	01053-50612	BOLT	2		
	23	04512-50060	WASHER, spring	2		
	24	15321-5211-0	SHIM, injection pump	2		
	25	15381-5211-2	SHIM, injection pump	3		

14. GOVERNOR GROUP



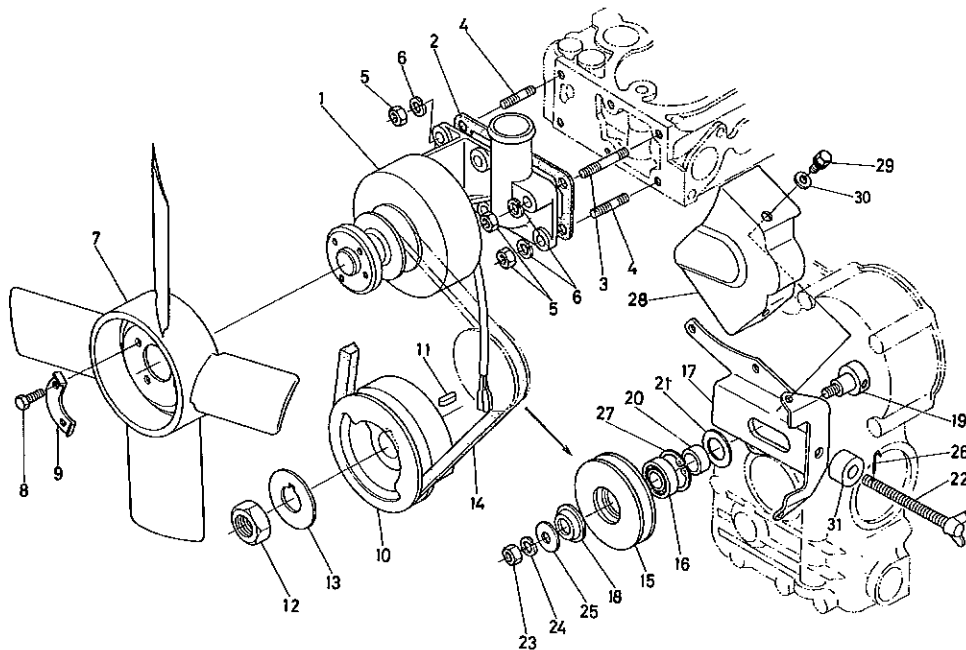
S	REF No.	CODE No.	DESCRIPTION	UNIT	INTERCHANGEABILITY		REMARKS
					SERIAL NUMBER		
	1	15221-5648-0	SPRING, start	1			
	2	15371-5641-0	SPRING, governor	1			
	3	15261-5602-0	COMP LEVER, governor	1			
	4	15381-5605-0	ASSY LEVER, fork	1set			⑤~⑬
	5	15381-5604-0	ASSY LEVER, fork 1	1set			⑥~⑧
	6						(15381-5612-0)
	7	order by REF, No. ⑤					(15021-5616-4)
	8						(15221-5617-2)
	9	15261-5613-0	LEVER, fork 2	1			
	10	15261-5615-0	SHAFT, fork lever	1			
	11	01053-50516	BOLT	1			
	12	04512-50050	WASHER, spring	2			
	13	15261-5623-0	HOLDER, fork lever	1			
	14	15261-6641-0	BOLT	1			
	15	01023-50628	BOLT	2			

15. SPEED CONTROL PLATE GROUP



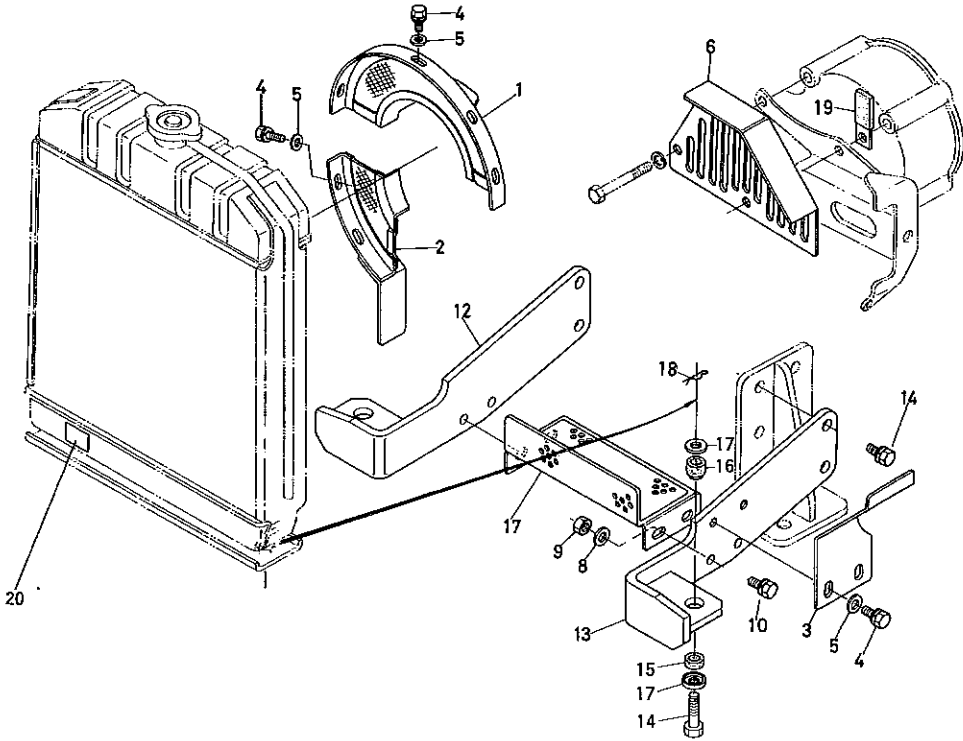
S	REFNo.	CODE No.	DESCRIPTION	UNIT	INTERCHANGEABILITY		REMARKS
					SERIAL NUMBER		
	1	15371-5402-0	ASSY APPARATUS, fuel limit	1 set			②~⑩
	2	15371-5403-0	ASSY APPARATUS, fuel limit SUB	1 set			③~⑦
	3	order by REF. No. ②					(15261-5413-0)
	4						
	5	15371-5423-0	SPRING	1			
	6	14301-5443-0	SCREW, set	1			
	7	15261-5437-0	NUT, lock	1			
	8	15109-3366-0	GASKET	2			
	9	15261-5422-0	NUT, cap	1			
	10	14301-5442-0	CAP	1			
	11	15381-5715-0	LEVER, speed control	1			
	12	15261-9501-0	KEY, feather	1			
	13	04811-00070	O RING	1			
	14	04013-50060	WASHER, plain	1			
	15	02012-50060	NUT	2			
	16	15261-5738-0	PLATE, compression	1			
	17	15261-5711-0	PLATE, speed control	1			
	18	15261-5721-0	GASKET, control plate	1			
	19	01023-50620	BOLT	2			
	20	15244-9149-0	STUD	2			
	21	02056-50060	NUT	2			
	22	04512-50060	WASHER, spring	2			
	23	15108-5728-0	STOPPER	1			
	24	NON SALE					
	25	NON SALE					(07811-1121-0)
	26	15383-5755-0	LEVER, accel	1			(07918-00001)
	27	14941-5765-0	PLATE, pressure	1			
	28	01170-51035	BOLT	1			
	29	04013-50100	WASHER, plain	2			
	30	02118-50100	NUT	2			

16. DYNAMO GROUP



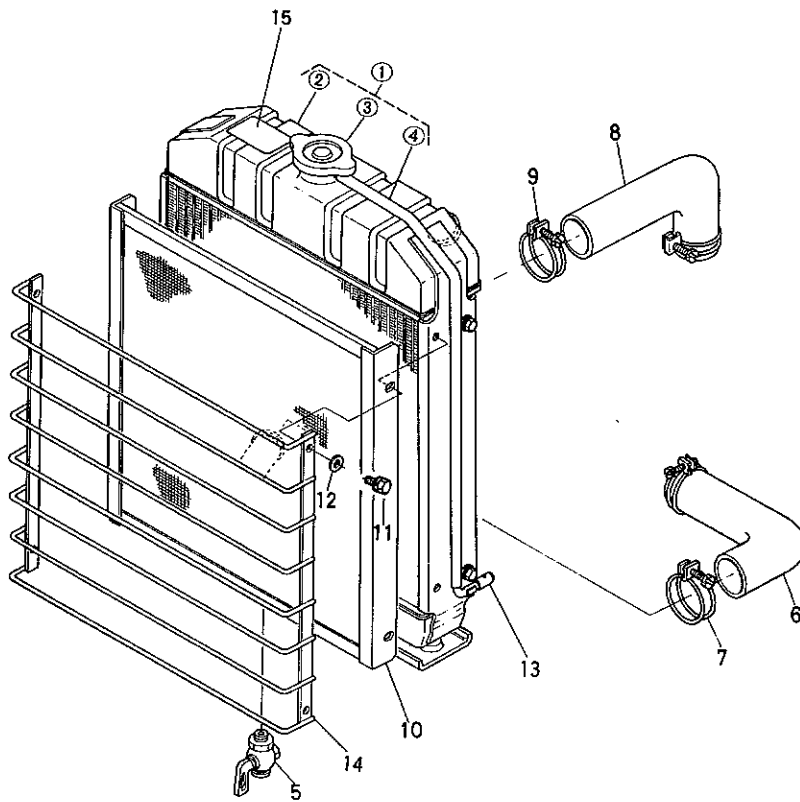
S	REFNo.	CODE No.	DESCRIPTION	UNIT	INTERCHANGEABILITY		REMARKS
					SERIAL NUMBER		
	1	15372-6401-0	ASSY DYNAMO	1			
	2	15261-7292-0	GASKET	1			
	3	01513-50645	STUD	1			
	4	01513-50616	STUD	5			
	5	02056-50060	NUT	6			
	6	04512-50060	WASHER, spring	6			
	7	15381-7411-0	FAN	1			
	8	01053-5061-0	BOLT	4			
	9	15131-7423-0	WASHER, fan	2			
	10	15381-7428-0	PULLEY, fan	1			
	11	05712-00515	KEY	1			
	12	15261-2336-0	NUT, crankshaft	1			
	13	¹⁵³⁷²⁻²³³⁸⁻⁰ (15261-2338-0)	WASHER, crankshaft	1			
	14	15381-7253-0	BELT, fan	1			
	15	14301-7432-0	PULLEY, tension	1			
	16	15271-7419-0	BEARING, ball	1			
	17	15381-7441-0	SUPPORT, tension pulley	1			
	18	15231-7477-0	COVER	1			
	19	15231-7433-0	SHAFT, tension pulley	1			
	20	15261-7443-0	COLLAR, tension pulley	1			
	21	14301-7478-0	COVER	1			
	22	14311-7497-0	BOLT, tension	1			
	23	02018-50100	NUT	1			
	24	04512-50100	WASHER, spring	1			
	25	04013-50100	WASHER, plain	1			
	26	Your Supply					(14311-7498-0)
	27	04611-00400	CIR-CLIP, internal	1			
	28	15261-7434-0	COVER, tension pulley	1			
	29	01023-50610	BOLT	2			
	30	04012-50060	WASHER, plain	2			
	31	15261-7435-0	COLLAR	1			

17. FAN COVER GROUP



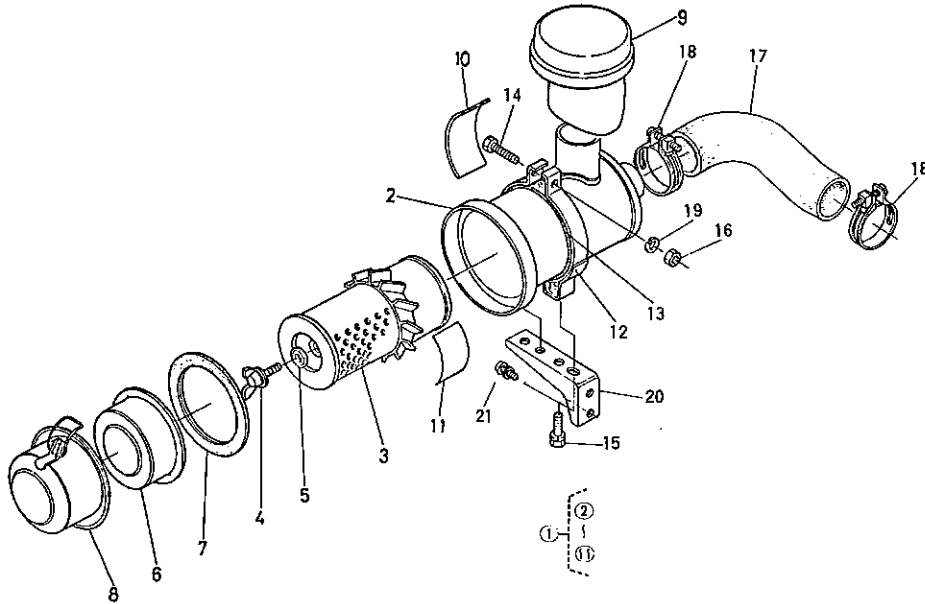
S	REFNo.	CODE No.	DESCRIPTION	UNIT	INTERCHANGEABILITY		REMARKS
					SERIAL NUMBER		
	1	15383-7412-0	COVER, fan 1	1			
	2	15383-7447-0	COVER, fan 2	1			
	3	15383-7451-0	PLATE, fan COVER	1			
	4	01202-50610	BOLT	9			
	5	04013-50060	WASHER, plain	9			
	6	15383-7431-0	COVER, fan pulley	1			
	7	15383-7459-0	COVER, fan pulley	1			
	8	04013-50080	WASHER, plain	4			
	9	02156-50080	NUT	4			
	10	01123-50818	BOLT	4			
	11	15383-7213-0	SUPPORT, radiator 1	1			
	12	15383-7214-0	SUPPORT, radiator 2	1			
	13	01133-51030	BOLT	4			
	14	15108-7238-0	BOLT	2			
	15	15111-7218-0	CUSSION	2			
	16	15111-7219-0	CUSSION	2			
	17	15111-7220-0	WASHER	4			
	18	05515-51000	PIN, snap	2			
	19	15272-6757-0	CLAMP, cord	1			
	20	15103-9459-0	LABEL	1			

18. RADIATOR GROUP



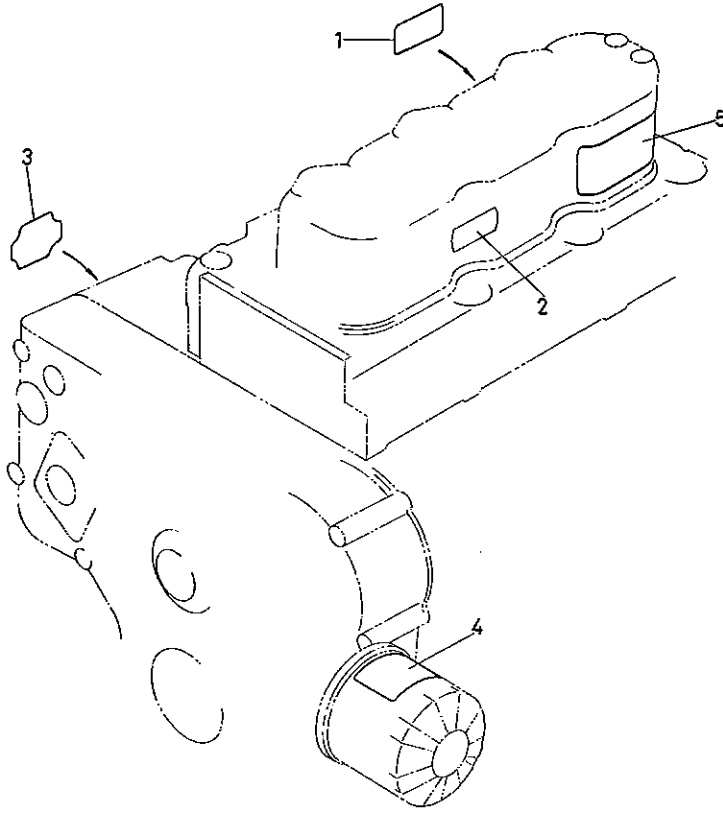
S	REFNo.	CODE No.	DESCRIPTION	UNIT	INTERCHANGEABILITY		REMARKS
					SERIAL NUMBER		
	1	15383-7206-0	ASSY RADIATOR	1			②~④
	2	order by REF. No. ①					(15383-7211-0)
	3	15021-7263-0	CAP	1			0.9kg/cmf
	4	15381-7271-0	PIPE, over flow	1			IN SIDE→7.5mm ℓ→600mm OUT SIDE→11.5mm
	5	14301-7311-0	COCK, drain	1			
	6	15381-7285-0	PIPE, water 1	1			
	7	15108-7287-0	BAND	2			
	8	15381-7294-0	PIPE, water 4	1			
	9	15108-7287-0	BAND	2			
	10	15383-7225-0	NET, radiator	1			
	11	01023-50614	BOLT	4			
	12	04013-50060	WASHER, plain	4			
	13	15021-7204-0	WHISTLE, steem	1			
	14	15383-7226-0	PROTECTOR	1			
	15	15409-9461-0	LABEL	1			

19. AIR CLEANER GROUP



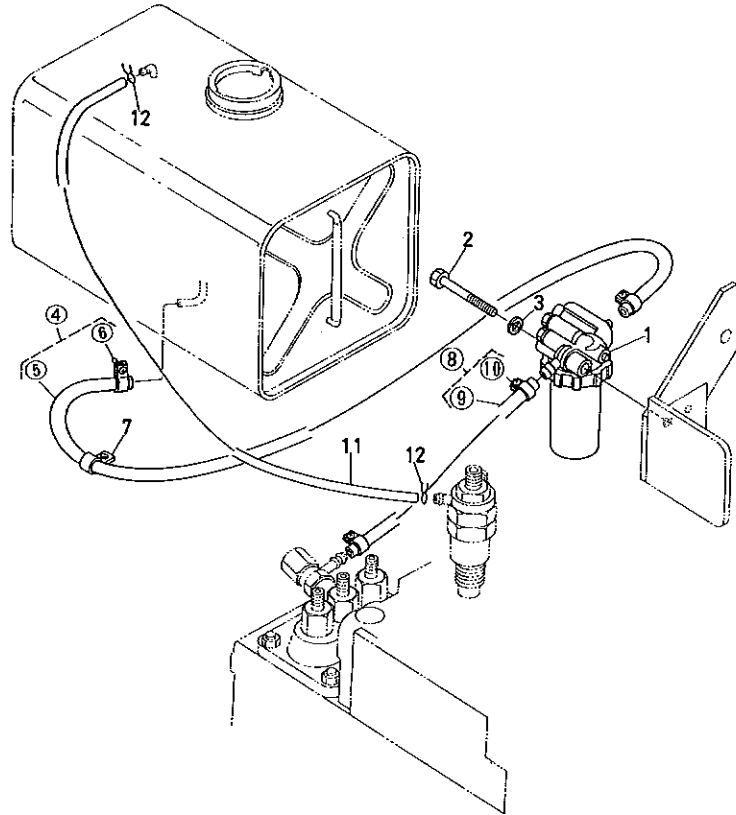
S	REFNo.	CODE No.	DESCRIPTION	UNIT	INTERCHANGEABILITY		REMARKS
					SERIAL NUMBER		
	1	15372-1101-0	ASSY CLEANER, air	1set			②~⑩
	2	15241-1115-0	BODY, air cleaner	1			
	3	15222-1122-0 (15221-1122-0)	ELEMENT, air cleaner	1			
	4	15221-9262-0	BOLT, wing	1			
	5	15221-9443-0	WASHER, seal	1			
	6	15221-1141-0	COVER, baffle	1			
	7	15221-1117-0	GASKET	1			
	8	15241-1116-0	COVER	1			
	9	15241-1135-0	CAP, air cleaner	1			
	10	15372-8745-2	LABEL	1			
	11	15227-8748-0	LABEL	1			
	12	15371-1125-0	BAND	1			
	13	15371-1187-0	CUSHION	1			
	14	01222-5083-0	BOLT	1			
	15	01120-50816	BOLT	2			
	16	02114-50080	NUT	1			
	17	15383-1162-0	PIPE, inlet	1			
	18	15221-1172-0	BAND, pipe	2			
	19	04512-50080	WASHER, spring	1			
	20	15383-1157-0	STAY, air cleaner	1			
	21	01123-50820	BOLT	2			

20. NAME PLATE GROUP



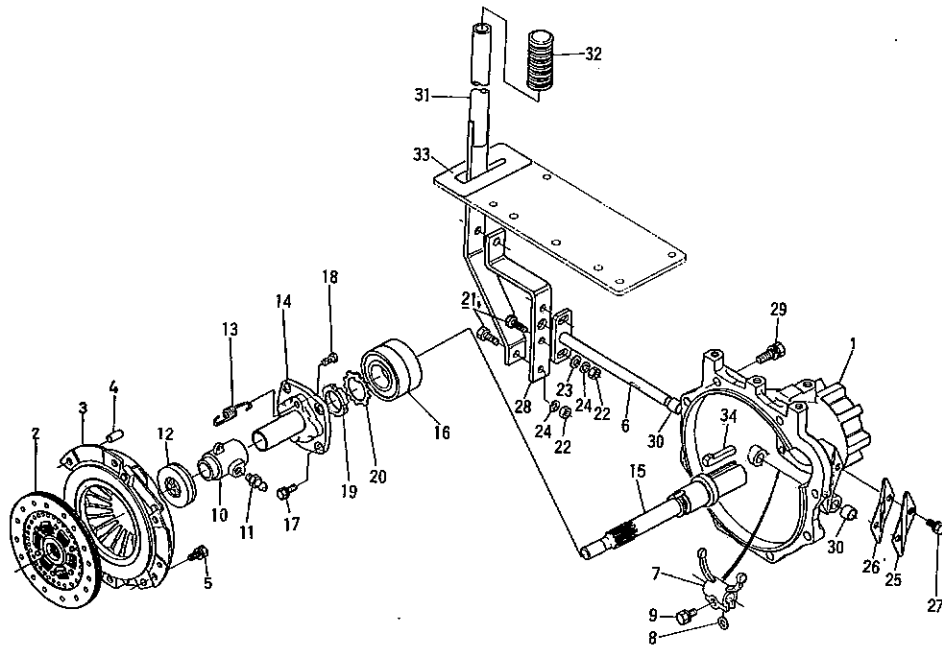
S	REFNo.	CODE No.	DESCRIPTION	UNIT	INTERCHANGEABILITY		REMARKS
					SERIAL NUMBER		
	1	15222-8821-0	LABEL, instruction	1			
	2	19231-8731-0	LABEL, oil	1			
	3	15222-8721-0	LABEL	1			
	4	19234-8721-0	LABEL	1			
	5	32210-3479-0	LABEL, decomp	1			

21. FUEL FILTER GROUP



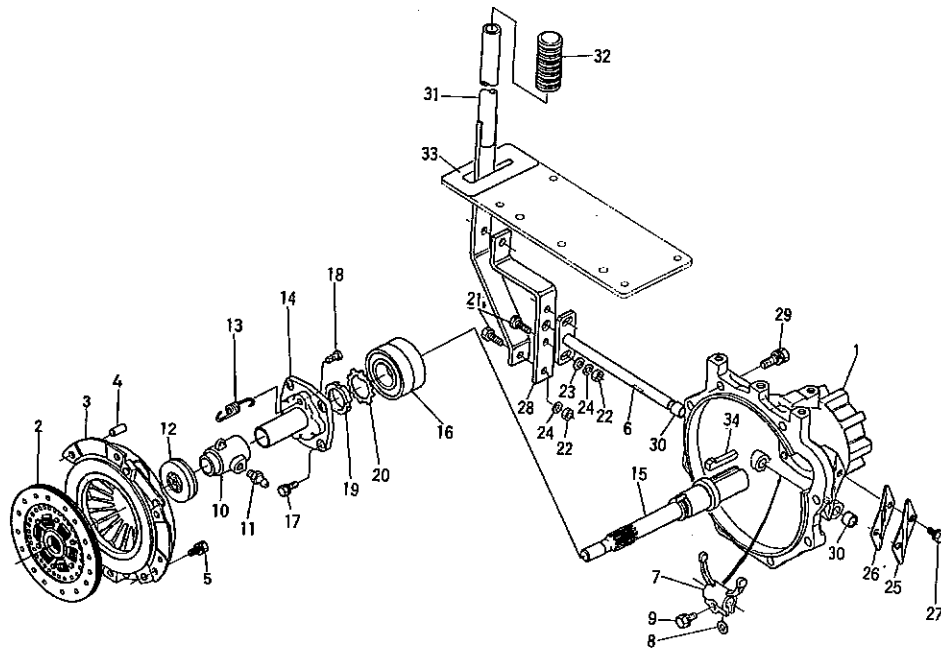
S	REF No.	CODE No.	DESCRIPTION	UNIT	INTERCHANGEABILITY		REMARKS
					SERIAL NUMBER		
	1	15393-4301-0	ASSY FILTER, fuel	1			
	2	01153-5086-0	BOLT	1			
	3	04512-50080	WASHER, spring	1			
	4	15403-4201-0	ASSY PIPE, fuel 1	1			(5), (6)
	5	15403-4217-0					
	6	14301-4275-0	CLIP, pipe	2			
	7	13352-6975-0	CLAMP, cord	3			
	8	15383-4202-0	ASSY PIPE, fuel 2	1			(9), (10)
	9	order by REF. No. (6)					(15383-4218-0)
	10	14301-4275-0	CLIP, pipe	2			
	11	15385-4252-0	PIPE, over flow	1			
	12	14971-4275-0	CLIP, pipe	2			

22. CLUTCH HOUSING GROUP



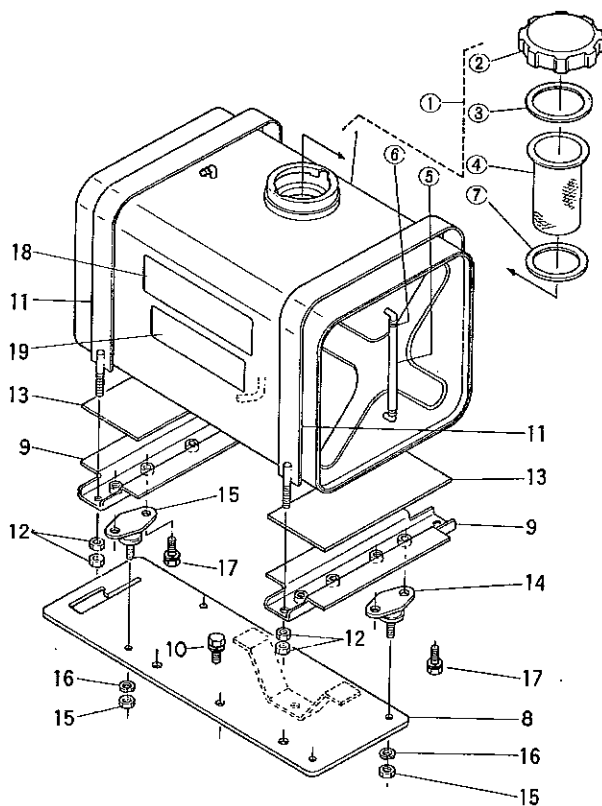
S	REFNo.	CODE No.	DESCRIPTION	UNIT	INTERCHANGEABILITY		REMARKS
					SERIAL NUMBER		
	1	15394-8111-0	HOUSING, clutch	1			
	2	15383-8101-0	ASSY DISK, clutch	1			
	3	67211-1330-0	ASSY PLATE, pressure	1			
	4	05012-00814	PIN, straight	3			
	5	01123-50816	BOLT	6			
	6	15384-8184-0	SHIFT, fork	1			
	7	31150-1472-7	FORK	1			
	8	31150-1478-0	KEY, fork	1			
	9	01123-50822	BOLT	1			
	10	37150-1481-0	HUB	1			
	11	06613-10010	NIPPLE, grease	1			
	12	37150-1482-0	BEARING	1			
	13	15384-8179-0	SPRING	1			
	14	15403-8127-0	CASE, propeller shaft	1			
	15	19262-8131-0	SHAFT, propeller	1			
	16	15403-8133-0	BEARING, ball	1			
	17	01123-50820	BOLT	4			
	18	15403-8181-0	PIN	1			
	19	15403-9238-0	NUT	1			
	20	15403-9431-0	WASHER, lock	1			
	21	01173-51025	BOLT	4			
	22	02118-50100	NUT	4			
	23	04013-50100	WASHER, plain	2			
	24	04512-50100	WASHER, spring	4			
	25	34150-1416-0	COVER, housing	1			
	26	34150-1417-0	GASKET	1			
	27	01123-50820	BOLT	2			

22. CLUTCH HOUSING GROUP



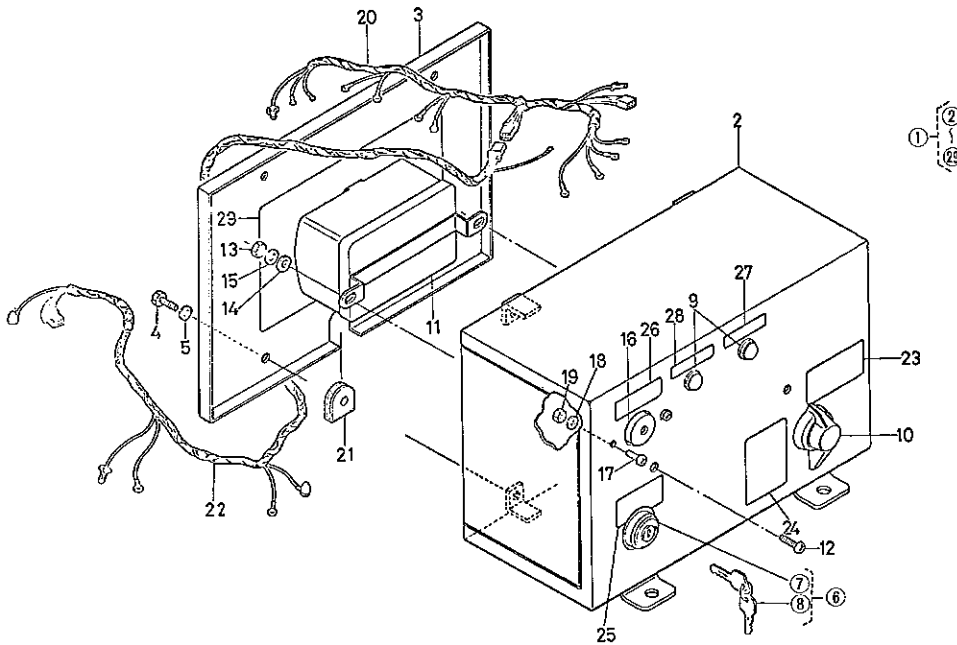
S	REFNo.	CODE No.	DESCRIPTION	UNIT	INTERCHANGEABILITY		REMARKS
					SERIAL NUMBER		
	28	15403-8143-0	BRACKET, clutch lever	1			
	29	01133-51040	BOLT	8			
	30	17013-8186-0	BUSH	2			
	31	15403-8142-0	LEVER, clutch	1			
	32	63633-4131-0	GRIP, lever	1			
	33	15409-8788-0	LABEL	1			
	34	19242-0106-0	KEY	1			

23. FUEL TANK GROUP



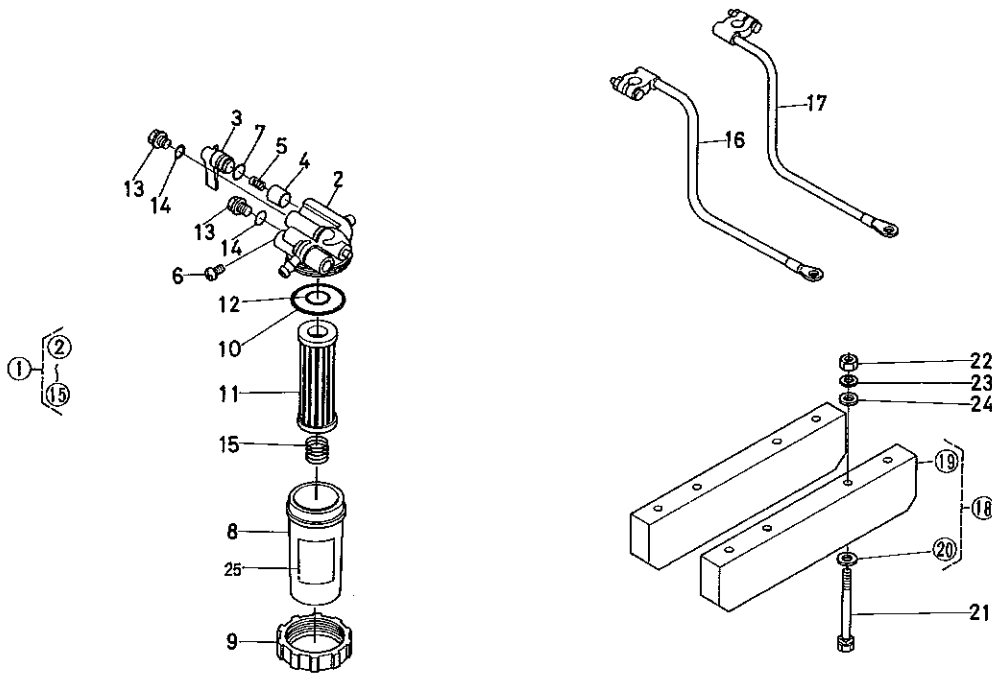
S	REF.No.	CODE No.	DESCRIPTION	UNIT	INTERCHANGEABILITY		REMARKS
					SERIAL NUMBER		
	1	15384-4101-0	ASSY TANK, fuel	1			(2)~(7)
	2	14261-4126-0	CAP, fuel tank	1			
	3	14681-4134-0	GASKET	1			
	4	14261-4135-0	FILTER	1			
	5	15377-4171-0	GAUGE, fuel	1			
	6	14301-4136-0	CLIP	2			
	7	14681-4124-0	GASKET, fuel	1			
	8	15384-4113-0	SUPPORT, fuel tank	1			
	9	15384-4114-0	SUPPORT, fuel tank	2			
	10	01133-51022	BOLT	4			
	11	15384-4115-0	BAND, fuel tank	2			
	12	02114-50080	NUT	8			
	13	15403-4192-0	PAD, fuel tank	2			
	14	15327-4116-2	CUSHION, rubber	4			
	15	02114-50080	NUT	4			
	16	04512-50080	WASHER, spring	4			
	17	01023-50614	BOLT	8			
	18	14781-8816-0	MARK, KUBOTA	1			
	19	19252-8811-0	LABEL	1			

24. SWITCH CASE GROUP



S	REFNo.	CODE No.	DESCRIPTION	UNIT	INTERCHANGEABILITY	REMARKS
					SERIAL NUMBER	
	1	19262-6360-0	ASSY CASE, switch	1		②~⑳
	2	19262-6364-0	CASE, switch	1		
	3	15403-6365-0	COVER, switch case	1		
	4	01050-50612	BOLT	4		
	5	04512-50060	WASHER, spring	4		
	6	66591-5550-0	ASSY SWITCH, key	1		⑦, ⑧
	7	order by REF. No.⑥	SWITCH, key	1		(66591-5551-0)
	8	66591-6112-0	KEY	1 set		
	9	15403-6449-0	LAMP	2		
	10	32210-3220-0	SWITCH, starter	1		
	11	15533-6460-0	REGULATOR	1		
	12	03014-50612	SCREW	2		
	13	02014-50060	NUT	2		
	14	04013-50060	WASHER, plain	2		
	15	04512-50060	WASHER, spring	2		
	16	15231-6595-0	GLOW LAMP	1		
	17	03054-50510	SCREW	2		
	18	04512-50050	WASHER, spring	2		
	19	02054-50050	NUT	2		
	20	19262-6581-0	WIRE HARNESS 1	1		
	21	17012-6585-0	BUSH, rubber	1		
	22	15383-6579-0	WIRE, HARNESS 1	1		
	23	66601-4825-0	LABEL, starter	1		
	24	66601-4826-2	LABEL, starter switch	1		
	25	15409-9492-2	LABEL, key switch	1		
	26	15409-9493-0	LABEL, glow lamp	1		
	27	15409-9468-0	LABEL, charge lamp	1		
	28	15409-9467-0	LABEL, oil lamp	1		
	29	19262-9469-0	LABEL, wiring	1		

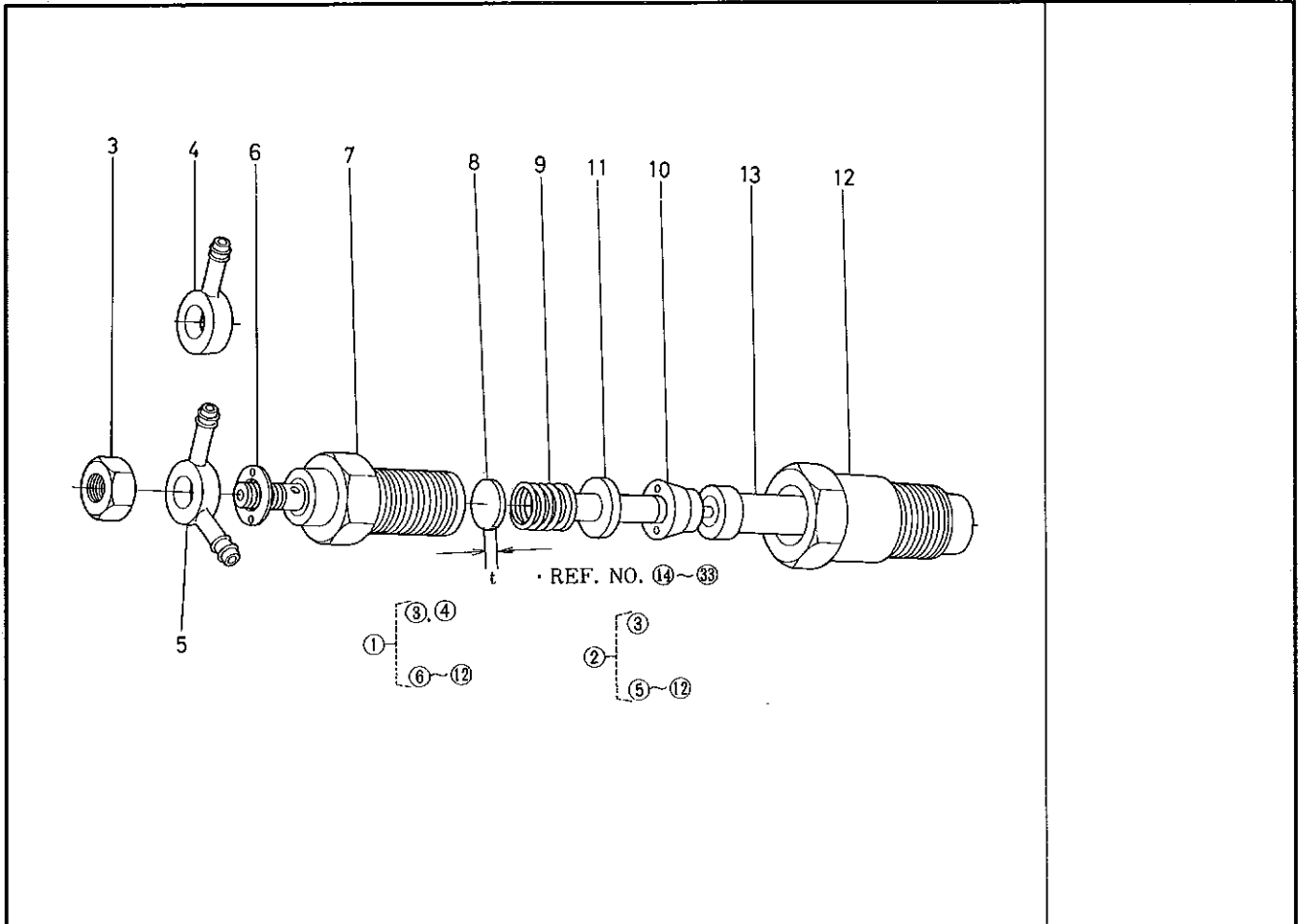
25. FUEL FILTER GROUP



S	REF No.	CODE No.	DESCRIPTION	UNIT	INTERCHANGEABILITY		REMARKS
					SERIAL NUMBER		
	1	15393-4301-0	ASSY FILTER, fuel	1			②~⑮
	2	order by REF. No. ①					(15261-4351-2)
	3	14301-4352-2 (15231-4352-0)	LEVER, cock	1			
	4	15231-4381-0	VALVE, taper	1			
	5	14301-4382-0	SPRING, valve	1			
	6	14301-4383-0	SCREW	1			
	7	14301-4384-0	O RING	1			
	8	15000-3483-0	CUP	1			
	9	14301-4359-0	RING, retaining	1			
	10	14301-4365-0	O RING	1			
	11	15231-4356-0	ASSY ELEMENT	1set			
	12	04811-00100 (14301-4357-0)	O RING	1			
	13	15231-4328-3	PLUG	2			
	14	04810-00060	O RING	2			
	15	15231-4356-0 (14301-4356-2)	SPRING	1			
	16	15377-6556-0	CODE, battery	1			
	17	54266-4172-0	CODE, earth	1			
	18	19262-0601-2	ASSY BED, engine	2			⑰, ⑳
	19	19262-0621-0	BED, engine	2			
	20	14311-0627-0	WASHER, lock	4			
	21	19262-9103-0	BOLT	4			
	22	02014-50120	NUT	4			
	23	04512-50120	WASHER, spring	4			
	24	04011-50120	WASHER, plain	4			
	25	15231-8746-0	LABEL, fuel filter	1			

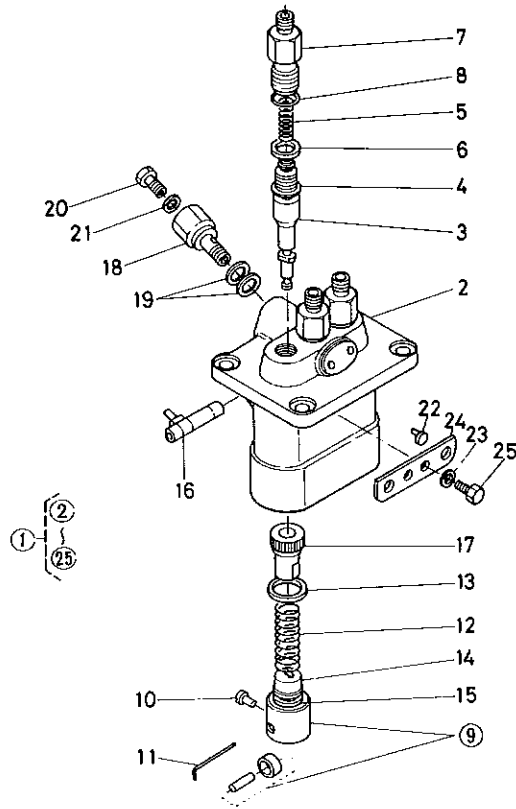
26. NOZZLE HOLDER GROUP

[SECTION PARTS]



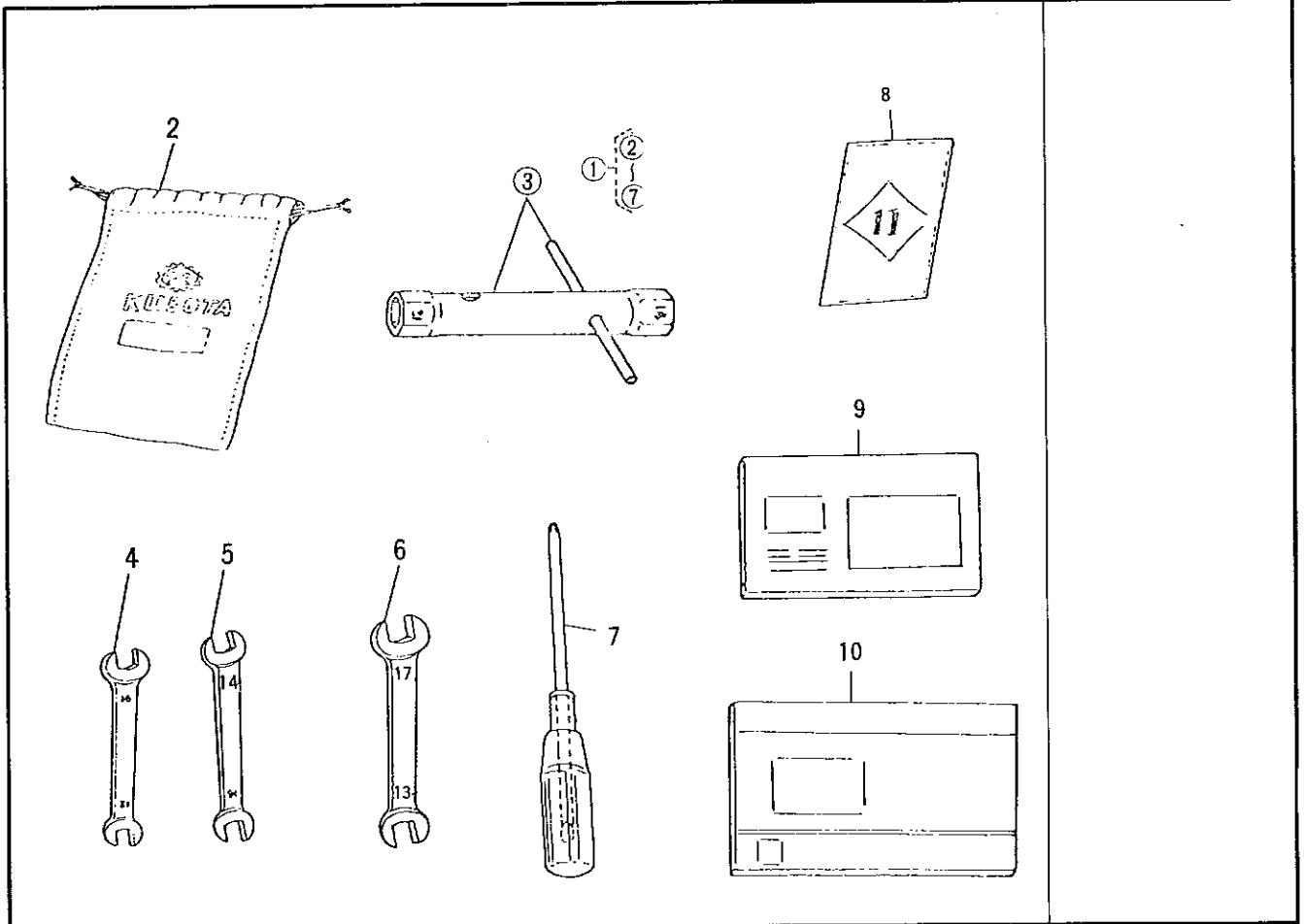
S	REFNo.	CODE No.	DESCRIPTION	UNIT	INTERCHANGEABILITY		REMARKS
					SERIAL NUMBER		
	1	order by REF, No. ⑦ on page 13					(15271-5301-0)
	2	order by REF, No. ⑧ on page 13					(15271-5303-0)
	3	15221-9202-0	NUT	1			
	4	15221-9568-0	JOINT, eye 1	1			
	5	15221-9569-0	JOINT, eye 2	1			
	6	15221-9402-0	WASHER, plain	1			
	7	order by REF, No. ⑦ or ⑧ on page 13					(15271-5314-0)
	8	15221-5323-0	WASHER, adjusting	1			
	9	15221-5317-0	SPRING, nozzle	1			
	10	15221-5335-0	PIECE, distance	1			
	11	15221-5316-0	ROD, push	1			
	12	15221-5328-0	NUT, nozzle	1			
	13	15021-5361-0	PIECE, nozzle	1			
	⑭	15221-9811-1	WASHER, Adjusting	(t=1.00)	1		FOR SERVICE
	⑮	15221-9812-1		(t=1.05)	1		
	⑯	15221-9813-1		(t=1.10)	1		
	⑰	15221-9814-1		(t=1.15)	1		
	⑱	15221-9815-1		(t=1.20)	1		
	⑲	15221-9816-1		(t=1.25)	1		
	⑳	15221-9817-1		(t=1.30)	1		
	㉑	15221-9818-1		(t=1.35)	1		
	㉒	15221-9819-1		(t=1.40)	1		
	㉓	15221-9820-1		(t=1.45)	1		
	㉔	15221-9821-1		(t=1.50)	1		
	㉕	15221-9822-1		(t=1.55)	1		
	㉖	15221-9823-1		(t=1.60)	1		
	㉗	15221-9824-1		(t=1.65)	1		
	㉘	15221-9825-1		(t=1.70)	1		
	㉙	15221-9826-1		(t=1.75)	1		
	㉚	15221-9827-1		(t=1.80)	1		
	㉛	15221-9828-1		(t=1.85)	1		
	㉜	15221-9829-1		(t=1.90)	1		
	㉝	15221-9830-1		(t=1.95)	1		

27. INJECTION PUMP GROUP



S	REFNo.	CODE No.	DESCRIPTION	UNIT	INTERCHANGEABILITY	REMARKS
					SERIAL NUMBER	
	1	15381-5101-0	ASSY PUMP, injection	1 set		(2)~(25)
	2	order by REF No. ①				(15381-5108-0)
	3	15261-5105-0	ELEMENT, pump	3		
	4	15261-5103-0	VALVE, delivery valve	3		
	5	15331-5123-0	SPRING, delivery valve	3		
	6	15331-5124-0	GASKET, delivery valve	3		
	7	15331-5122-0	HOLDER, delivery valve	3		
	8	15331-9676-0	O RING	3		
	9	15331-5107-0	ASSY TAPPET	3		
	10	15331-5125-0	PIN, tappet guide	3		
	11	15331-5143-0	PIN, clamp	3		
	12	15331-5128-0	SPRING, plunger	3		
	13	15331-5127-0	SEAT, spring upper	3		
	14	15331-5129-0	SEAT, spring under	3		
	15	order by REF No. ①				(15381-5149-0)
	16	15331-5106-2	RACK, control	1		
	17	15331-5138-0	SLEEVE, control	3		
	18	15241-5132-0 (15381-5132-0)	SCREW	1		
	19	15331-9665-0	GASKET	2		
	20	15331-5135-0	SCREW, air breeder	1		
	21	15331-9666-0	GASKET	1		
	22	15331-5148-0	COLLAR	2		
	23	15381-9409-0	WASHER, spring	2		
	24	15381-5139-0	PLATE, adjusting	1		
	25	15331-9101-0	BOLT	2		

28. TOOLS GROUP



S	REFNo.	CODE No.	DESCRIPTION	UNIT	INTERCHANGEABILITY		REMARKS
					SERIAL	NUMBER	
	1	15377-8601-0	ASSY TOOLS	1			②~⑦
	2	07910-00018	BAG, tools	1			
	3	07013-01922	BOX SPANNER 19-22 ⁷ / ₁₆ "	1			
	4	07012-31012	SPANNER 10-12 ⁷ / ₁₆ "	1			
	5	07012-31214	SPANNER 12-14 ⁷ / ₁₆ "	1			
	6	07012-31317	SPANNER 13-17 ⁷ / ₁₆ "	1			
	7	32360-1930-0	DRIVER (+, -)	1			
	8	10261-9532-0	DETERGENT, 11	1			
	9	19262-8911-0	INSTRUCTION MANUAL	1			
	10	19252-8941-0	PARTS LIST	1			

In the numerical list, the last figures of the Code Nos, for parts other than standard parts are listed as "O"

CODE No.	Page	CODE No.	Page	CODE No.	Page
01023-50610	18	02156-50080	3,12,14,19	07811-11210	16
01023-50614	9,20,26	03014-50612	27	07910-00018	31
01023-50616	10	03024-50510	6	07918-00001	16
01023-50618	1	03024-50520	13	08103-06004	14
01023-50620	5,7,16	03054-50510	27	08153-06004	14
01023-50625	5	03410-00606	8	09400-14247	11
01023-50628	15	04011-50120	28	09550-00008	4
01023-50630	4	04012-50060	17,18	09560-00007	5
01050-50612	27	04013-50060	7,16,19,20,27	10261-95320	31
01053-50516	15	04013-50080	12,19	13352-69750	23
01053-50610	18	04013-50100	16,18,24	14111-42410	6
01053-50612	14	04211-50100	4	14261-41260	26
01053-50614	9,10,13	04512-50050	15,27	14261-41350	26
01053-50660	4,7	04512-50060	1,4,6,7,9,10,13, 14,16,18,27	14301-41360	26
01053-50665	4	04512-50080	1,3,7,12,14,21, 23,26	14301-42750	23
01053-50670	4	04512-50100	18,24	14301-43520	28
01120-50814	12	04512-50120	28	14301-43590	28
01120-50816	21	04611-00400	18	14301-43650	28
01123-50816	24	04612-00110	8	14301-43820	28
01123-50818	19	04612-00180	10,14	14301-43830	28
01123-50820	21,24	04612-00200	14	14301-43840	28
01123-50822	10,14,24	04810-00060	28	14301-54420	16
01133-51022	26	04810-00140	1	14301-54430	16
01133-51025	2	04810-00150	2	14301-73110	20
01133-51030	19	04810-00150	2	14301-74320	18
01133-51040	25	04811-00070	16	14301-74780	18
01153-50816	1,3	04811-00080	9	14311-06270	28
01153-50825	12	04811-00100	28	14311-74970	18
01153-50835	7	04811-06130	4	14311-74980	18
01153-50860	23	04811-10220	11	14431-12430	7
01170-51035	16	04811-50300	9	14611-91060	4
01173-51025	24	05012-00609	1	14681-41240	26
01202-50610	7,19	05012-00814	1,24	14681-41340	26
01222-50608	7	05511-50315	17	14781-88160	26
01222-50830	21	05515-51000	19	14911-12412	7
01513-50616	6,18	05712-00410	4	14911-12470	7
01513-50645	18	05712-00515	10,11,18	14941-57650	16
01513-50816	3	05712-00520	14	14952-12110	7
02012-50060	16	06311-75015	1	14952-12130	7
02014-50060	27	06311-75040	1	14971-42750	13,23
02014-50120	28	06613-10010	24	15000-34830	28
02016-50100	4	07012-11012	31	15021-33660	10
02018-50100	18	07012-11214	31	15021-53610	29
02054-50050	27	07012-11317	31	15021-56160	15
02056-50060	4,6,7,9,16,17 18	07013-01922	31	15021-72040	20
02114-50080	7,21,26	07715-03205	14	15101-72030	20
02118-50100	16,24	07715-03213	2	15103-94590	19
		07715-03217	14	15108-57280	16

CODE No.	Page	CODE No.	Page	CODE No.	Page
15108-72380	19	15221-98190	29	15261-04090	5
15108-72870	20	15221-98200	29	15261-04130	4
15109-33660	1,16	15221-98210	29	15261-04360	5
15111-72180	19	15221-98220	29	15261-04540	5
15111-72190	19	15221-98230	29	15261-04560	5
15111-72200	19	15221-98240	29	15261-04570	5
15121-53850	13	15221-98250	29	15261-04590	5
15121-53860	13	15221-98260	29	15261-04810	5
15131-01380	11	15221-98270	29	15261-04820	5
15131-74230	18	15221-98280	29	15261-05510	6
15221-01750	3	15221-98290	29	15261-11820	7
15221-03490	1	15221-98300	29	15261-11830	7
15221-11170	21	15222-11220	21	15261-12360	7
15221-11410	21	15222-87210	22	15261-13110	8
15221-11720	21	15222-88210	22	15261-13120	8
15221-33140	9	15223-83340	4	15261-13150	8
15221-33640	4	15227-87480	21	15261-13240	8
15221-33650	1	15231-05130	13	15261-13280	8
15221-33700	1	15231-33960	1	15261-13330	8
15221-33750	1	15231-39010	2	15261-13360	8
15221-53160	29	15231-43283	28	15261-13540	3
15221-53170	29	15231-43560	28	15261-13560	3
15221-53230	29	15231-43810	28	15261-14030	8
15221-53280	29	15231-63010	12	15261-14180	8
15221-53350	29	15231-65950	27	15261-14232	8
15221-56170	15	15231-74330	18	15261-14240	8
15221-56280	4	15231-74770	18	15261-14310	8
15221-56480	15	15231-87130	10	15261-14350	8
15221-66280	9	15231-87460	28	15261-14420	8
15221-66410	9	15241-11150	21	15261-14430	8
15221-72880	1	15241-11160	21	15261-15110	10
15221-88130	4	15241-11350	21	15261-15550	10
15221-88210	4	15241-32090	1	15261-16270	10
15221-91530	14	15241-32290	4	15261-16320	14
15221-92020	29	15241-36950	2	15261-16510	10
15221-92620	21	15241-51320	30	15261-21110	11
15221-94020	29	15241-51650	13	15261-21310	11
15221-94430	21	15241-52140	6	15261-21330	11
15221-95680	29	15241-52850	6	15261-21910	32
15221-95690	29	15244-83350	10	15261-21980	11, 32
15221-98110	29	15244-91490	16	15261-22010	11
15221-98120	29	15261-02310	1	15261-22140	11
15221-98130	29	15261-03370	3	15261-22310	11
15221-98140	29	15261-03410	3	15261-22970	32
15221-98150	29	15261-03450	3	15261-22980	32
15221-98160	29	15261-03510	3	15261-23250	11
15221-98170	29	15261-03540	3	15261-23310	11
15221-98180	29	15261-04040	5	15261-23360	18

CODE No.	Page	CODE No.	Page	CODE No.	Page
15261-23470	11	15261-55740	14	15331-51230	30
15261-23480	11	15261-56020	15	15331-51240	30
15261-23530	11	15261-56130	15	15331-51250	30
15261-23540	11	15261-56150	15	15331-51270	30
15261-23910	32	15261-56230	15	15331-51280	30
15261-23920	32	15261-57110	16	15331-51290	30
15261-23930	32	15261-57210	16	15331-51350	30
15261-23940	32	15261-57380	16	15331-51380	30
15261-23950	32	15261-63820	12	15331-51430	30
15261-23960	32	15261-65510	13	15331-51480	30
15261-23970	32	15261-65560	13	15331-91010	30
15261-23980	32	15261-66190	9	15331-96650	30
15261-24010	10	15261-66350	9	15331-96660	30
15261-24110	11	15261-66410	15	15331-96760	30
15261-24210	10	15261-66630	9	15371-01010	1
15261-24250	10	15261-66640	9	15371-01610	1
15261-24280	10	15261-72920	18	15371-03040	3
15261-24320	10	15261-73910	1	15371-03310	3
15261-24360	10	15261-73920	1	15371-03320	3
15261-24370	10	15261-74340	18	15371-11250	21
15261-24980	32	15261-74350	18	15371-11760	7
15261-25160	12	15261-74430	18	15371-11870	21
15261-25170	12	15261-91022	4	15371-14050	8
15261-35010	4	15261-91022	4	15371-23010	11
15261-35150	4	15261-91190	12	15371-32110	1
15261-35660	4	15261-92010	8	15371-36410	2
15261-36070	1	15261-92020	10	15371-54020	16
15261-36910	2	15261-92330	10	15371-54030	16
15261-36930	2	15261-94010	8	15371-54230	16
15261-42510	13	15261-95010	16	15371-56410	15
15261-43510	28	15261-96010	1,3	15372-11010	21
15261-51030	30	15261-96880	10	15372-23380	18
15261-51050	30	15271-21050	11	15372-64010	18
15261-51150	14	15271-21090	32	15372-87452	21
15261-53710	13	15271-53000	13	15375-04610	12
15261-53720	13	15271-53010	29	15377-41710	26
15261-54090	10	15271-53020	13	15377-65560	28
15261-54100	10	15271-53030	29	15377-86010	31
15261-54130	16	15271-53140	29	15381-01620	1
15261-54170	16	15271-74190	18	15381-04020	4
15261-54220	16	15272-67570	19	15381-04050	5
15261-54250	10	15321-52110	14	15381-14520	9
15261-54260	10	15321-96260	3	15381-16010	10
15261-54270	10	15321-96260	1	15381-16020	14
15261-54370	16	15327-41160	26	15381-16170	14
15261-55450	14	15331-51062	30	15381-51010	14, 30
15261-55470	14	15331-51070	30	15381-51080	30
15261-55690	14	15331-51220	30	15381-51390	30

CODE No.	Page	CODE No.	Page	CODE No.	Page
15381-51490	30	15385-42520	23	19262-06210	28
15381-52100	14	15393-43010	23, 28	19262-63600	27
15381-52112	14	15394-81110	24	19262-63640	27
15381-53730	13	15403-41920	26	19262-65810	27
15381-56040	15	15403-42010	23	19262-81310	24
15381-56050	15	15403-42170	23	19262-89110	31
15381-56120	15	15403-63650	27	19262-91030	28
15381-57150	16	15403-64490	27	19262-94690	27
15381-72530	18	15403-81270	24	31150-14720	24
15381-72710	20	15403-81330	24	31150-14780	24
15381-72850	20	15403-81420	25	31220-14170	12
15381-72940	20	15403-81430	25	32210-32200	27
15381-74110	18	15403-81810	24	32210-34790	22
15381-74280	18	15403-92380	24	32360-19300	31
15381-74410	18	15403-94310	24	34150-14160	24
15381-91070	7	15409-87880	25	34150-14170	24
15381-91090	1	15409-94610	20	37150-14810	24
15381-91530	7	15409-94670	27	37150-14820	24
15381-94090	30	15409-94680	27	54266-41720	28
15383-11570	21	15409-94920	27	63633-41310	25
15383-11620	21	15409-94930	27	66591-55500	27
15383-12310	7	15521-05150	6	66591-61120	27
15383-12720	7	15521-05550	6	66601-48250	27
15383-12730	7	15521-05670	6	66601-48262	27
15383-42020	23	15521-96020	1	66621-14120	11
15383-42180	23	15521-96030	1	67211-13300	24
15383-43430	10	15531-14510	9		
15383-57550	16	15531-66040	9		
15383-57590	17	15533-64600	27		
15383-65790	27	15541-25010	12		
15383-72060	20	15541-25110	12		
15383-72110	20	15951-05140	6		
15383-72130	19	15951-05370	6		
15383-72140	19	15951-05590	6		
15383-72250	20	15951-14410	8		
15383-72260	20	15951-92330	9		
15383-74120	19	15951-96660	9		
15383-74310	19	17011-53620	13		
15383-74470	19	17012-65850	27		
15383-74510	19	17013-81860	25		
15383-74590	19	19231-87310	22		
15383-81010	24	19234-87210	22		
15384-41010	26	19242-01060	25		
15384-41130	26	19252-88110	26		
15384-41140	26	19252-89410	31		
15384-41150	26	19262-06010	28		
15384-81790	24	19262-06110	2		
15384-81840	24	19262-06120	2		



THE BASIC NECESSITIES GIANT

Since 1890 Kubota has been engaged in the design and manufacture of the world's finest agricultural and industrial machinery. The Kubota line of farm tractors and implements has contributed to better crop production in every country and served the needs of the people of the world.